

Heavy-Duty Connector

● Heavy duty housing

Standard plastic housing

Material	PC
Colour	Light grey(RAL 7032)
Locking element	
Lever type	lever,plastic
Material	polyamide
Hoods/Housings Sealing	NBR
Limiting Temperatures	-40~ +125°C
Flammability Acc. To UL94	V0
Degree of protection acc. to EN 60529 for coupled connector	IP65

Standard Hoods/Housings

Material	Aluminium die-cast
Colour	Grey
Locking element	
Lever type	Lever,metal
Material	stainless steel or steel zinc-plated
Hoods/Housings Sealing	NBR
Limiting temperatures	-40~ +125°C
Flammability acc. to UL94	V0
Degree of protection acc. to EN 60529 for coupled connector	IP65

Hoods/Housings,pressure tight

Material	Aluminium die-cast,corrosion resistant
Colour	black or grey(RAL 9005 or 7037)
Locking element	
Lever type	Screw locking
Material	stainless steel
Hoods/Housings Sealing	NBR
Limiting temperatures	-40~ +125°C
Flammability acc. to UL94	V0
Degree of protection acc. to EN 60529 for coupled connector	IP68



Heavy-Duty Connector



Heavy duty housing

Product Picture	Form	Product Size
	<p>H3A.P-T-2B-M20 H3A.P-T-2B-PG11</p>	
	<p>H3A.P-CT-1L-M20 H3A.P-CT-1L-PG11</p>	
	<p>H3A.P-K-1L-S</p>	
	<p>H3A.P-K-1L</p>	
	<p>H3A-T-2B-M20 H3A-T-2B-PG11</p>	
	<p>H3A-S-2B-M20 H3A-S-2B-PG11</p>	



Data ,CAD,3D document please refer to: WWW.VELLEDQ.COM

Heavy-Duty Connector

● Heavy duty housing

Product Picture	Form	Product Size
	<p>H3A-CT-1L-M20 H3A-CT-1L-PG11</p>	
	<p>H3A-K-1L</p>	
	<p>H3A-K-1L-MCV</p>	
	<p>H10A-T-2B-M20 H10A-T-2B-M25 H10A-T-2B-PG16 H10A-T-2B-PG21</p>	
	<p>H10A-S-2B-M20 H10A-S-2B-M25 H10A-S-2B-PG16 H10A-S-2B-PG21</p>	
	<p>H10A-K-1L</p>	



Heavy-Duty Connector

● Heavy duty housing

Product Picture	Form	Product Size
	<p>H10A-K-1L-CV H10A-K-1L-MCV</p>	
	<p>H10A-F-1L-M20 H10A-F-1L-2M20 H10A-F-1L-M25 H10A-F-1L-PG16 H10A-F-1L-2PG16 H10A-F-1L-PG21</p>	
	<p>H10A-F-1L-CV-M20 H10A-F-1L-CV-2M20 H10A-F-1L-CV-M25 H10A-F-1L-CV-PG16 H10A-F-1L-CV-2PG16 H10A-F-1L-CV-PG21</p>	
	<p>H16A-T-2B-M20 H16A-T-2B-M25 H16A-T-2B-PG16 H16A-T-2B-PG21</p>	
	<p>H16A-S-2B-M20 H16A-S-2B-M25 H16A-S-2B-PG16 H16A-S-2B-PG21</p>	
	<p>H16A-K-1L</p>	



Heavy-Duty Connector

● Heavy duty housing

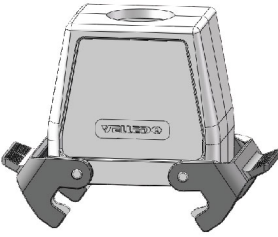
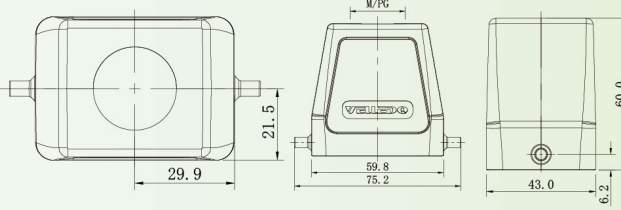

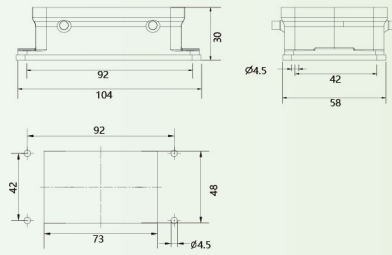

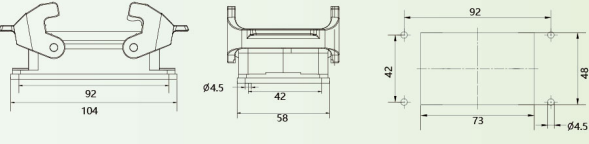

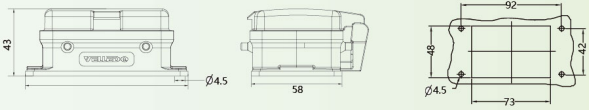

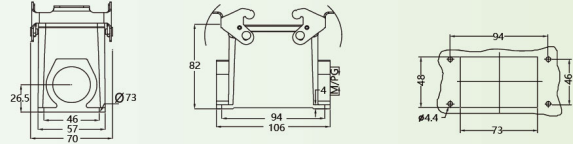

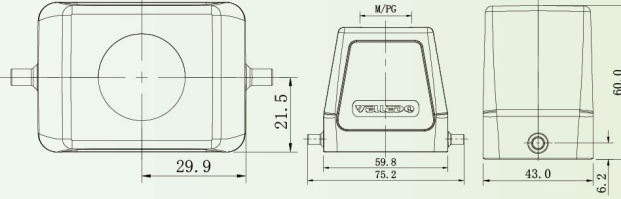
Product Picture	Form	Product Size
	<p>H16A-K-1L-CV H16A-K-1L-MCV</p>	
	<p>H16A-F-1L-2M20 H16A-F-1L-M25 H16A-F-1L-PG16 H16A-F-1L-2PG16 H16A-F-1L-PG21</p>	
	<p>H16A-F-1L-CV-2M20 H16A-F-1L-CV-M25 H16A-F-1L-CV-PG16 H16A-F-1L-CV-2PG16 H16A-F-1L-CV-PG21</p>	
	<p>H32A-T-4B-M25 H32A-T-4B-M32 H32A-T-4B-PG21 H32A-T-4B-PG29</p>	
	<p>H32A-S-4B-M25 H32A-S-4B-M32 H32A-S-4B-PG21 H32A-S-4B-PG29</p>	
	<p>H32A-T-2L-M25 H32A-T-2L-M32 H32A-T-2L-PG21 H32A-T-2L-PG29</p>	



Heavy-Duty Connector



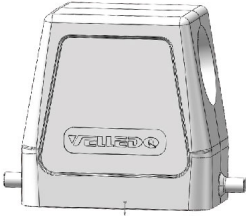
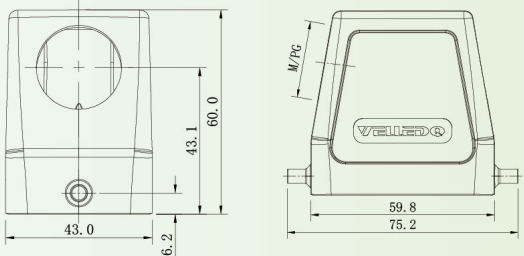
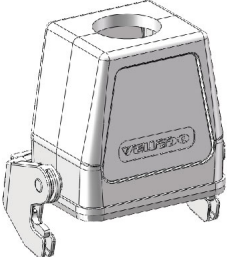
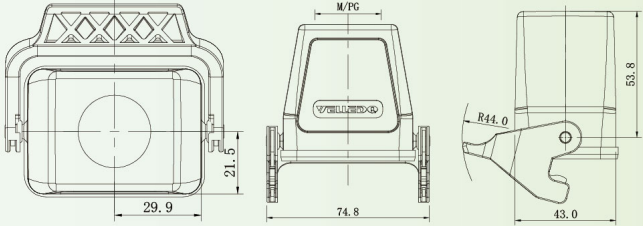
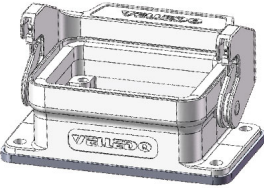
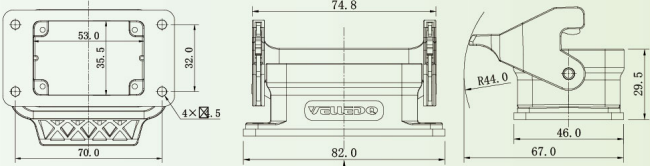
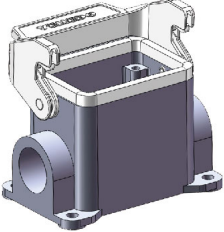
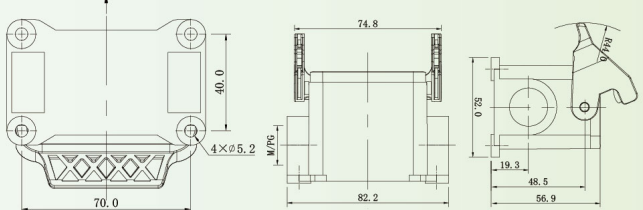
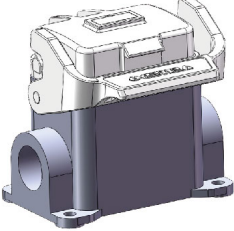
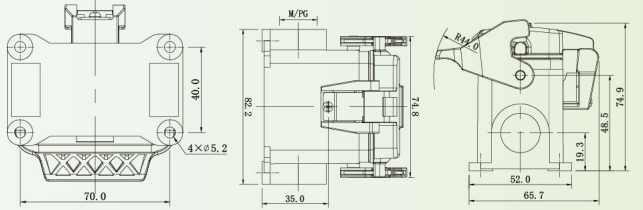
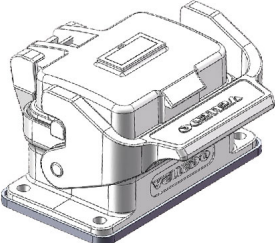
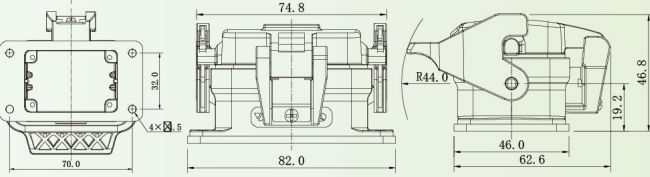
● Heavy duty housing

Product Picture	Form	Product Size
	<p>H32A-S-2L-M25 H32A-S-2L-M32 H32A-S-2L-PG21 H32A-S-2L-PG29</p>	
	<p>H32A-K-4B</p>	
	<p>H32A-K-2L</p>	
	<p>H32A-K-4B-CV H32A-K-4B-MCV</p>	
	<p>H32A-F-2L-M25 H32A-F-2L-M32 H32A-F-2L-2M32 H32A-F-2L-PG21 H32A-F-2L-2PG21 H32A-F-2L-PG29 H32A-F-2L-2PG29</p>	
	<p>H6B-TH-2B-M20 H6B-TH-2B-M25 H6B-TH-2B-M32 H6B-TH-2B-PG13.5 H6B-TH-2B-PG16 H6B-TH-2B-PG21</p>	



Heavy-Duty Connector

Heavy duty housing

Product Picture	Form	Product Size
	<p>H6B-SH-2B-M20 H6B-SH-2B-M25 H6B-SH-2B-M32 H6B-SH-2B-PG13.5 H6B-SH-2B-PG16 H6B-SH-2B-PG21</p>	
	<p>H6B-CTH-1L-M25 H6B-CTH-1L-PG21</p>	
	<p>H6B-K-1L</p>	
	<p>H6B-K-1L-CV</p>	
	<p>H6B-F-1L-M20 H6B-F-1L-2M20 H6B-F-1L-M25 H6B-F-1L-2M25 H6B-F-1L-PG16 H6B-F-1L-2PG16</p>	
	<p>H6B-F-1L-CV-M20 H6B-F-1L-CV-2M20 H6B-F-1L-CV-M25 H6B-F-1L-CV-2M25 H6B-F-1L-CV-PG16 H6B-F-1L-CV-2PG16</p>	



Heavy-Duty Connector



6B High protective housing Degree of protection: IP68

<p>Upper shell Side outlet High structure</p> 	<table border="1"> <thead> <tr> <th>thread</th> <th>Form</th> <th>Order No</th> </tr> </thead> <tbody> <tr> <td>M20</td> <td>HP6B-SH-2S-M20</td> <td>115 006 520 5102</td> </tr> <tr> <td>M25</td> <td>HP6B-SH-2S-M25</td> <td>115 006 520 5103</td> </tr> <tr> <td>M32</td> <td>HP6B-SH-2S-M32</td> <td>115 006 520 5104</td> </tr> <tr> <td>PG16</td> <td>HP6B-SH-2S-PG16</td> <td>115 006 520 5110</td> </tr> <tr> <td>PG21</td> <td>HP6B-SH-2S-PG21</td> <td>115 006 520 5111</td> </tr> </tbody> </table>	thread	Form	Order No	M20	HP6B-SH-2S-M20	115 006 520 5102	M25	HP6B-SH-2S-M25	115 006 520 5103	M32	HP6B-SH-2S-M32	115 006 520 5104	PG16	HP6B-SH-2S-PG16	115 006 520 5110	PG21	HP6B-SH-2S-PG21	115 006 520 5111				
thread	Form	Order No																					
M20	HP6B-SH-2S-M20	115 006 520 5102																					
M25	HP6B-SH-2S-M25	115 006 520 5103																					
M32	HP6B-SH-2S-M32	115 006 520 5104																					
PG16	HP6B-SH-2S-PG16	115 006 520 5110																					
PG21	HP6B-SH-2S-PG21	115 006 520 5111																					
<p>Upper shell Jacking wire High structure</p> 	<table border="1"> <thead> <tr> <th>thread</th> <th>Form</th> <th>Order No</th> </tr> </thead> <tbody> <tr> <td>M20</td> <td>HP6B-TH-2S-M20</td> <td>115 006 420 5102</td> </tr> <tr> <td>M25</td> <td>HP6B-TH-2S-M25</td> <td>115 006 420 5103</td> </tr> <tr> <td>M32</td> <td>HP6B-TH-2S-M32</td> <td>115 006 420 5104</td> </tr> <tr> <td>PG16</td> <td>HP6B-TH-2S-PG16</td> <td>115 006 420 5110</td> </tr> <tr> <td>PG21</td> <td>HP6B-TH-2S-PG21</td> <td>115 006 420 5111</td> </tr> <tr> <td>PG29</td> <td>HP6B-TH-2S-PG29</td> <td>115 006 420 5112</td> </tr> </tbody> </table>	thread	Form	Order No	M20	HP6B-TH-2S-M20	115 006 420 5102	M25	HP6B-TH-2S-M25	115 006 420 5103	M32	HP6B-TH-2S-M32	115 006 420 5104	PG16	HP6B-TH-2S-PG16	115 006 420 5110	PG21	HP6B-TH-2S-PG21	115 006 420 5111	PG29	HP6B-TH-2S-PG29	115 006 420 5112	
thread	Form	Order No																					
M20	HP6B-TH-2S-M20	115 006 420 5102																					
M25	HP6B-TH-2S-M25	115 006 420 5103																					
M32	HP6B-TH-2S-M32	115 006 420 5104																					
PG16	HP6B-TH-2S-PG16	115 006 420 5110																					
PG21	HP6B-TH-2S-PG21	115 006 420 5111																					
PG29	HP6B-TH-2S-PG29	115 006 420 5112																					
<p>Lower shell of back cover High structure</p> 	<table border="1"> <thead> <tr> <th>thread</th> <th>Form</th> <th>Order No</th> </tr> </thead> <tbody> <tr> <td>M20</td> <td>HP6B-SH-2H-M20</td> <td>115 006 220 5002</td> </tr> <tr> <td>M25</td> <td>HP6B-SH-2H-M25</td> <td>115 006 220 5003</td> </tr> <tr> <td>M32</td> <td>HP6B-SH-2H-M32</td> <td>115 006 220 5004</td> </tr> <tr> <td>PG16</td> <td>HP6B-SH-2H-PG16</td> <td>115 006 220 5010</td> </tr> <tr> <td>PG21</td> <td>HP6B-SH-2H-PG21</td> <td>115 006 220 5011</td> </tr> </tbody> </table>	thread	Form	Order No	M20	HP6B-SH-2H-M20	115 006 220 5002	M25	HP6B-SH-2H-M25	115 006 220 5003	M32	HP6B-SH-2H-M32	115 006 220 5004	PG16	HP6B-SH-2H-PG16	115 006 220 5010	PG21	HP6B-SH-2H-PG21	115 006 220 5011				
thread	Form	Order No																					
M20	HP6B-SH-2H-M20	115 006 220 5002																					
M25	HP6B-SH-2H-M25	115 006 220 5003																					
M32	HP6B-SH-2H-M32	115 006 220 5004																					
PG16	HP6B-SH-2H-PG16	115 006 220 5010																					
PG21	HP6B-SH-2H-PG21	115 006 220 5011																					
<p>Unsealed lower shell</p> 	<table border="1"> <thead> <tr> <th>thread</th> <th>Form</th> <th>Order No</th> </tr> </thead> <tbody> <tr> <td>---</td> <td>HP6B-BK-2H</td> <td>115 006 320 1001</td> </tr> </tbody> </table>	thread	Form	Order No	---	HP6B-BK-2H	115 006 320 1001																
thread	Form	Order No																					
---	HP6B-BK-2H	115 006 320 1001																					
<p>Plastic protective cover</p> 	<table border="1"> <thead> <tr> <th>Wiring mode</th> <th>Form</th> <th>Order No</th> </tr> </thead> <tbody> <tr> <td>---</td> <td>HP6B-CV-2S/2</td> <td>115 006 020 8002</td> </tr> </tbody> </table>	Wiring mode	Form	Order No	---	HP6B-CV-2S/2	115 006 020 8002																
Wiring mode	Form	Order No																					
---	HP6B-CV-2S/2	115 006 020 8002																					



Heavy-Duty Connector




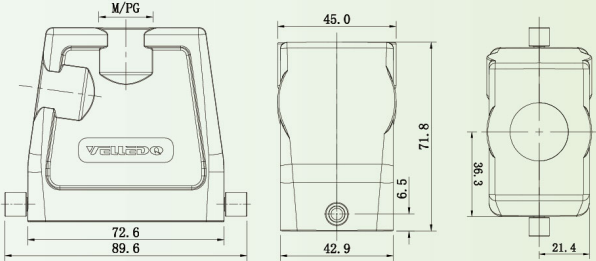

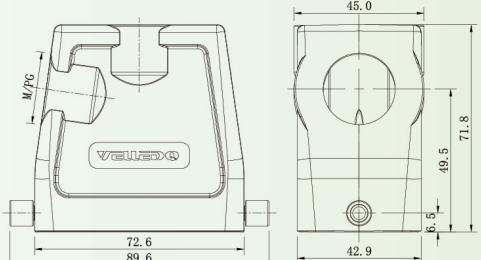

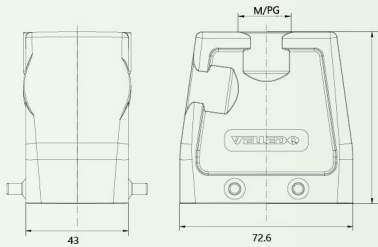

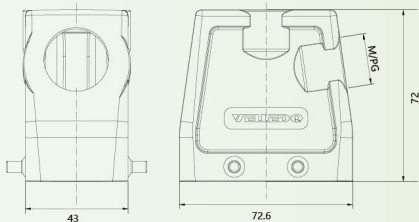

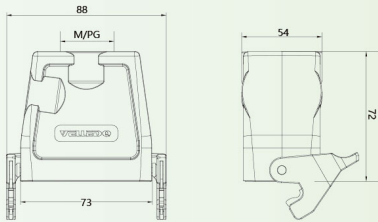
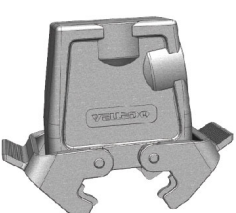
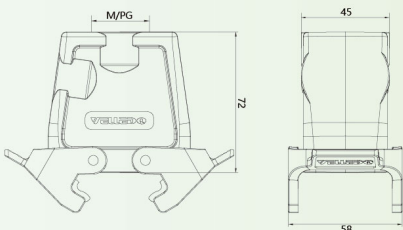
6B High protective housing Degree of protection : IP68

<p>Protective cover For lower shell</p> 	<table border="1"> <thead> <tr> <th>Wiring mode</th> <th>Form</th> <th>Order No</th> </tr> </thead> <tbody> <tr> <td></td> <td>Bolt interlock HP6B/H-CV-2S Axle pin interlock</td> <td>113 606 020 8101</td> </tr> <tr> <td></td> <td>HP6B/H-CV-2T</td> <td>113 606 040 8103</td> </tr> </tbody> </table>	Wiring mode	Form	Order No		Bolt interlock HP6B/H-CV-2S Axle pin interlock	113 606 020 8101		HP6B/H-CV-2T	113 606 040 8103																
Wiring mode	Form	Order No																								
	Bolt interlock HP6B/H-CV-2S Axle pin interlock	113 606 020 8101																								
	HP6B/H-CV-2T	113 606 040 8103																								
<p>Protective cover For Upper shell</p> 	<table border="1"> <thead> <tr> <th>Wiring mode</th> <th>Form</th> <th>Order No</th> </tr> </thead> <tbody> <tr> <td></td> <td>Bolt interlock HP6B/H-CV-2H/1 Axle pin interlock</td> <td>113 606 020 8111</td> </tr> <tr> <td></td> <td>HP6B/H-CV-2T/1</td> <td>113 606 040 8101</td> </tr> </tbody> </table>	Wiring mode	Form	Order No		Bolt interlock HP6B/H-CV-2H/1 Axle pin interlock	113 606 020 8111		HP6B/H-CV-2T/1	113 606 040 8101																
Wiring mode	Form	Order No																								
	Bolt interlock HP6B/H-CV-2H/1 Axle pin interlock	113 606 020 8111																								
	HP6B/H-CV-2T/1	113 606 040 8101																								
<p>Protective cover,For lower shell(IP5X)</p> 	<table border="1"> <thead> <tr> <th>Wiring mode</th> <th>Form</th> <th>Order No</th> </tr> </thead> <tbody> <tr> <td>---</td> <td>HP6B/H-CV/C</td> <td>113 006 900 8002</td> </tr> </tbody> </table>	Wiring mode	Form	Order No	---	HP6B/H-CV/C	113 006 900 8002																			
Wiring mode	Form	Order No																								
---	HP6B/H-CV/C	113 006 900 8002																								
<p>Degree of protection:IP68/IP69K (The following enclosures comply with China's rail transit industry standards)</p>																										
<p>Upper shell Side outlet High structure</p> 	<table border="1"> <thead> <tr> <th>thread</th> <th>Form</th> <th>Order No</th> </tr> </thead> <tbody> <tr> <td>M20</td> <td>HP6B/H-SH-4S-M20</td> <td>113 606 530 5002</td> </tr> <tr> <td>M25</td> <td>HP6B/H-SH-4S-M25</td> <td>113 606 530 5003</td> </tr> <tr> <td>M32</td> <td>HP6B/H-SH-4S-M32</td> <td>113 606 530 5004</td> </tr> <tr> <td>M40</td> <td>HP6B/H-SH-4S-M4 0</td> <td>113 606 530 5005</td> </tr> <tr> <td>PG16</td> <td>HP6B/H-SH-4S-PG16</td> <td>113 606 530 5010</td> </tr> <tr> <td>PG21</td> <td>HP6B/H-SH-4S-PG21</td> <td>113 606 530 5011</td> </tr> </tbody> </table>	thread	Form	Order No	M20	HP6B/H-SH-4S-M20	113 606 530 5002	M25	HP6B/H-SH-4S-M25	113 606 530 5003	M32	HP6B/H-SH-4S-M32	113 606 530 5004	M40	HP6B/H-SH-4S-M4 0	113 606 530 5005	PG16	HP6B/H-SH-4S-PG16	113 606 530 5010	PG21	HP6B/H-SH-4S-PG21	113 606 530 5011				
thread	Form	Order No																								
M20	HP6B/H-SH-4S-M20	113 606 530 5002																								
M25	HP6B/H-SH-4S-M25	113 606 530 5003																								
M32	HP6B/H-SH-4S-M32	113 606 530 5004																								
M40	HP6B/H-SH-4S-M4 0	113 606 530 5005																								
PG16	HP6B/H-SH-4S-PG16	113 606 530 5010																								
PG21	HP6B/H-SH-4S-PG21	113 606 530 5011																								
<p>Upper shell Jacking wire High structure</p> 	<table border="1"> <thead> <tr> <th>thread</th> <th>Form</th> <th>Order No</th> </tr> </thead> <tbody> <tr> <td>M20</td> <td>HP6B/H-TH-4S-M20</td> <td>113 606 430 5002</td> </tr> <tr> <td>M25</td> <td>HP6B/H-TH-4S-M25</td> <td>113 606 430 5003</td> </tr> <tr> <td>M32</td> <td>HP6B/H-TH-4S-M32</td> <td>113 606 430 5004</td> </tr> <tr> <td>M40</td> <td>HP6B/H-TH-4S-M40</td> <td>113 606 430 5005</td> </tr> <tr> <td>PG16</td> <td>HP6B/H-TH-4S-PG16</td> <td>113 606 430 5010</td> </tr> <tr> <td>PG21</td> <td>HP6B/H-TH-4S-PG21</td> <td>113 606 430 5011</td> </tr> <tr> <td>PG29</td> <td>HP6B/H-TH-4S-PG29</td> <td>113 606 430 5012</td> </tr> </tbody> </table>	thread	Form	Order No	M20	HP6B/H-TH-4S-M20	113 606 430 5002	M25	HP6B/H-TH-4S-M25	113 606 430 5003	M32	HP6B/H-TH-4S-M32	113 606 430 5004	M40	HP6B/H-TH-4S-M40	113 606 430 5005	PG16	HP6B/H-TH-4S-PG16	113 606 430 5010	PG21	HP6B/H-TH-4S-PG21	113 606 430 5011	PG29	HP6B/H-TH-4S-PG29	113 606 430 5012	
thread	Form	Order No																								
M20	HP6B/H-TH-4S-M20	113 606 430 5002																								
M25	HP6B/H-TH-4S-M25	113 606 430 5003																								
M32	HP6B/H-TH-4S-M32	113 606 430 5004																								
M40	HP6B/H-TH-4S-M40	113 606 430 5005																								
PG16	HP6B/H-TH-4S-PG16	113 606 430 5010																								
PG21	HP6B/H-TH-4S-PG21	113 606 430 5011																								
PG29	HP6B/H-TH-4S-PG29	113 606 430 5012																								
<p>Unsealed lower shell</p> 	<table border="1"> <thead> <tr> <th>thread</th> <th>Form</th> <th>Order No</th> </tr> </thead> <tbody> <tr> <td>---</td> <td>HP6B/H-BK-4H</td> <td>113 606 330 1001</td> </tr> </tbody> </table>	thread	Form	Order No	---	HP6B/H-BK-4H	113 606 330 1001	 <p>Panel hole drawing notes 1).When equipped with HC650 insert, the size is 43.</p>																		
thread	Form	Order No																								
---	HP6B/H-BK-4H	113 606 330 1001																								



Heavy-Duty Connector

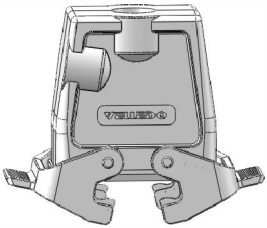
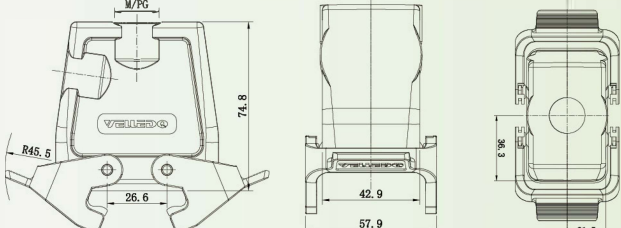
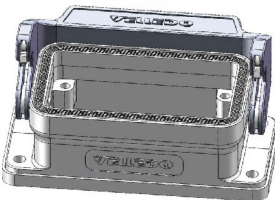
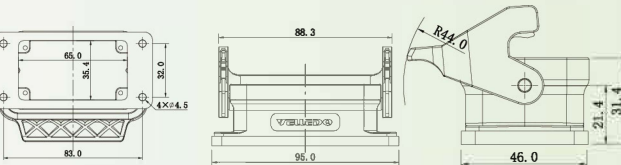
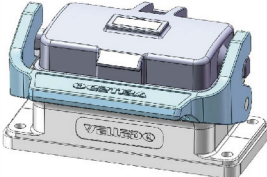
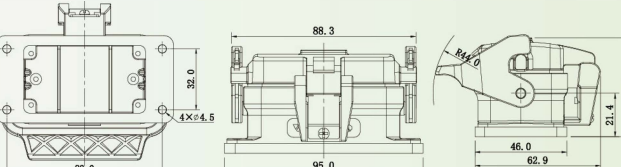
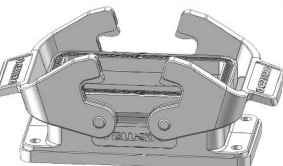
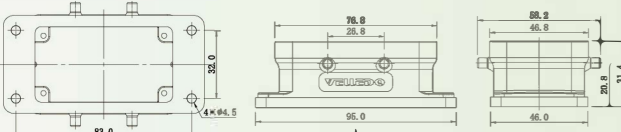
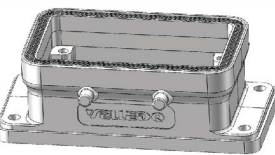
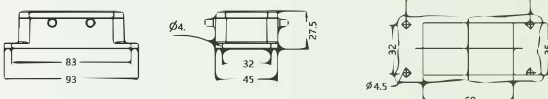

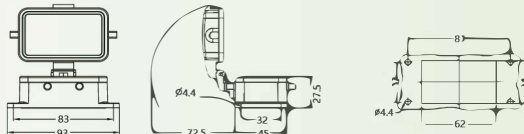
● Heavy duty housing

Product Picture	Form	Product Size
	<p>H10B-TH-2B-M20 H10B-TH-2B-M25 H10B-TH-2B-PG16 H10B-TH-2B-PG21</p>	
	<p>H10B-SH-2B-M20 H10B-SH-2B-M25 H10B-SH-2B-PG16 H10B-SH-2B-PG21</p>	
	<p>H10B-TH-4B-M20 H10B-TH-4B-M25 H10B-TH-4B-PG16 H10B-TH-4B-PG21</p>	
	<p>H10B-S-4B-M20 H10B-S-4B-M25 H10B-S-4B-PG16 H10B-S-4B-PG21</p>	
	<p>H10B-TH-1L-M25 H10B-TH-1L-PG21 H10B-TH-1L-M32 H10B-TH-1L-PG29</p>	
	<p>H10B-TH-2L-M25 H10B-TH-2L-PG21 H10B-TH-2L-M32 H10B-TH-2L-PG29</p>	



Heavy-Duty Connector

● Heavy duty housing

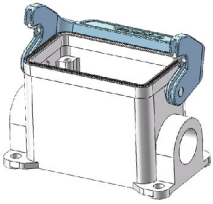
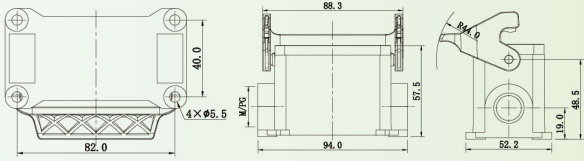
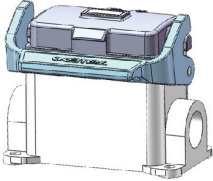
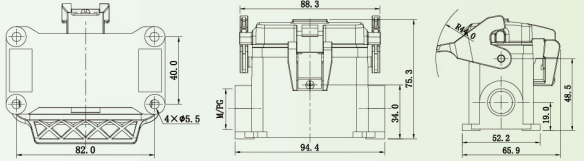
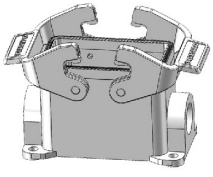
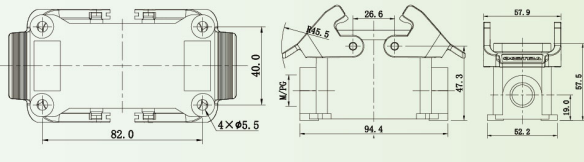
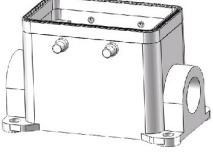
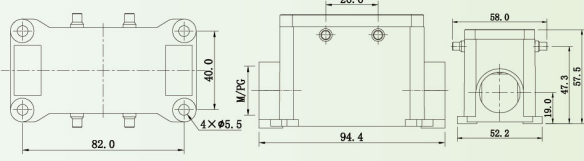
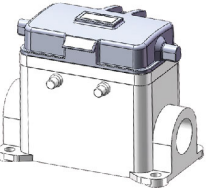
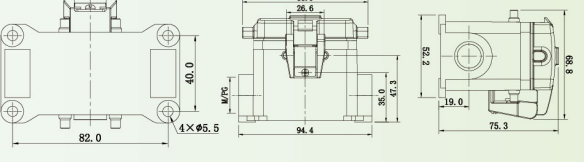
Product Picture	Form	Product Size
	<p>H10B-CTH-2L-M25 H10B-CTH-2L-PG21 H10B-CTH-2L-M32 H10B-CTH-2L-PG29</p>	
	<p>H10B-K-1L</p>	
	<p>H10B-K-1L-CV H10B-K-1L-MCV</p>	
	<p>H10B-K-2L</p>	
	<p>H10B-K-4B</p>	
	<p>H10B-K-4B-CV H10B-K-4B-MCV</p>	



Heavy-Duty Connector



● Heavy duty housing

Product Picture	Form	Product Size
	<p>H10B-F-1L-M20 H10B-F-1L-2M20 H10B-F-1L-M25 H10B-F-1L-2M25 H10B-F-1L-PG16 H10B-F-1L-2PG16</p>	
	<p>H10B-F-1L-CV-M20 H10B-F-1L-CV-2M20 H10B-F-1L-CV-M25 H10B-F-1L-CV-2M25 H10B-F-1L-CV-PG16 H10B-F-1L-CV-2PG16</p>	
	<p>H10B-F-2L-M20 H10B-F-2L-2M20 H10B-F-2L-M25 H10B-F-2L-2M25 H10B-F-2L-PG16 H10B-F-2L-2PG16</p>	
	<p>H10B-F-4B-M20 H10B-F-4B-2M20 H10B-F-4B-M25 H10B-F-4B-2M25 H10B-F-4B-PG16 H10B-F-4B-2PG16</p>	
	<p>H10B-F-4B-CV-M20 H10B-F-4B-CV-2M20 H10B-F-4B-CV-M25 H10B-F-4B-CV-2M25 H10B-F-4B-CV-PG16</p>	


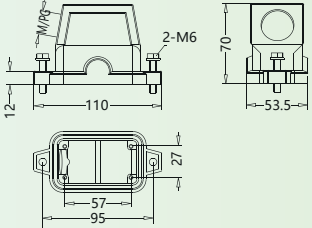
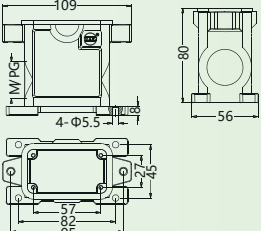



Data ,CAD,3D document please refer to: WWW.VELLEDQ.COM

Heavy-Duty Connector



10B High protective housing Degree of protection: IP68/IP69K

<p>Upper shell Side outlet High structure</p> 	<table border="1"> <thead> <tr> <th>thread</th> <th>Form</th> <th>Order No</th> </tr> </thead> <tbody> <tr> <td>M20</td> <td>HP10B-SH-2S-M20</td> <td>115 010 520 5002</td> </tr> <tr> <td>M25</td> <td>HP10B-SH-2S-M25</td> <td>115 010 520 5103</td> </tr> <tr> <td>M32</td> <td>HP10B-SH-2S-M32</td> <td>115 010 520 5104</td> </tr> <tr> <td>PG16</td> <td>HP10B-SH-2S-PG16</td> <td>115 010 520 5110</td> </tr> <tr> <td>PG21</td> <td>HP10B-SH-2S-PG21</td> <td>115 010 520 5111</td> </tr> </tbody> </table>	thread	Form	Order No	M20	HP10B-SH-2S-M20	115 010 520 5002	M25	HP10B-SH-2S-M25	115 010 520 5103	M32	HP10B-SH-2S-M32	115 010 520 5104	PG16	HP10B-SH-2S-PG16	115 010 520 5110	PG21	HP10B-SH-2S-PG21	115 010 520 5111				
thread	Form	Order No																					
M20	HP10B-SH-2S-M20	115 010 520 5002																					
M25	HP10B-SH-2S-M25	115 010 520 5103																					
M32	HP10B-SH-2S-M32	115 010 520 5104																					
PG16	HP10B-SH-2S-PG16	115 010 520 5110																					
PG21	HP10B-SH-2S-PG21	115 010 520 5111																					
<p>Upper shell Jacking wire High structure</p> 	<table border="1"> <thead> <tr> <th>thread</th> <th>Form</th> <th>Order No</th> </tr> </thead> <tbody> <tr> <td>M20</td> <td>HP10B-TH-2S-M20</td> <td>115 010 420 5002</td> </tr> <tr> <td>M25</td> <td>HP10B-TH-2S-M25</td> <td>115 010 420 5103</td> </tr> <tr> <td>M32</td> <td>HP10B-TH-2S-M32</td> <td>115 010 420 5104</td> </tr> <tr> <td>PG16</td> <td>HP10B-TH-2S-PG16</td> <td>115 010 420 5110</td> </tr> <tr> <td>PG21</td> <td>HP10B-TH-2S-PG21</td> <td>115 010 420 5111</td> </tr> <tr> <td>PG29</td> <td>HP10B-TH-2S-PG29</td> <td>115 010 420 5012</td> </tr> </tbody> </table>	thread	Form	Order No	M20	HP10B-TH-2S-M20	115 010 420 5002	M25	HP10B-TH-2S-M25	115 010 420 5103	M32	HP10B-TH-2S-M32	115 010 420 5104	PG16	HP10B-TH-2S-PG16	115 010 420 5110	PG21	HP10B-TH-2S-PG21	115 010 420 5111	PG29	HP10B-TH-2S-PG29	115 010 420 5012	
thread	Form	Order No																					
M20	HP10B-TH-2S-M20	115 010 420 5002																					
M25	HP10B-TH-2S-M25	115 010 420 5103																					
M32	HP10B-TH-2S-M32	115 010 420 5104																					
PG16	HP10B-TH-2S-PG16	115 010 420 5110																					
PG21	HP10B-TH-2S-PG21	115 010 420 5111																					
PG29	HP10B-TH-2S-PG29	115 010 420 5012																					
<p>Lower shell of back cover High structure</p> 	<table border="1"> <thead> <tr> <th>thread</th> <th>Form</th> <th>Order No</th> </tr> </thead> <tbody> <tr> <td>M20</td> <td>HP10B-SH-2H-M20</td> <td>115 010 220 5002</td> </tr> <tr> <td>M25</td> <td>HP10B-SH-2H-M25</td> <td>115 010 220 5003</td> </tr> <tr> <td>M32</td> <td>HP10B-SH-2H-M32</td> <td>115 010 220 5004</td> </tr> <tr> <td>PG16</td> <td>HP10B-SH-2H-PG16</td> <td>115 010 220 5010</td> </tr> <tr> <td>PG21</td> <td>HP10B-SH-2H-PG21</td> <td>115 010 220 5011</td> </tr> </tbody> </table>	thread	Form	Order No	M20	HP10B-SH-2H-M20	115 010 220 5002	M25	HP10B-SH-2H-M25	115 010 220 5003	M32	HP10B-SH-2H-M32	115 010 220 5004	PG16	HP10B-SH-2H-PG16	115 010 220 5010	PG21	HP10B-SH-2H-PG21	115 010 220 5011				
thread	Form	Order No																					
M20	HP10B-SH-2H-M20	115 010 220 5002																					
M25	HP10B-SH-2H-M25	115 010 220 5003																					
M32	HP10B-SH-2H-M32	115 010 220 5004																					
PG16	HP10B-SH-2H-PG16	115 010 220 5010																					
PG21	HP10B-SH-2H-PG21	115 010 220 5011																					
<p>Unsealed lower shell</p> 	<table border="1"> <thead> <tr> <th>thread</th> <th>Form</th> <th>Order No</th> </tr> </thead> <tbody> <tr> <td>---</td> <td>HP10B-BK-2H</td> <td>115 010 320 1001</td> </tr> </tbody> </table>	thread	Form	Order No	---	HP10B-BK-2H	115 010 320 1001	 <p>Panel hole drawing</p>															
thread	Form	Order No																					
---	HP10B-BK-2H	115 010 320 1001																					
<p>Plastic protective cover</p> 	<table border="1"> <thead> <tr> <th>Wiring mode</th> <th>Form</th> <th>Order No</th> </tr> </thead> <tbody> <tr> <td>---</td> <td>HP10B-CV-2S/2</td> <td>115 010 020 8002</td> </tr> </tbody> </table>	Wiring mode	Form	Order No	---	HP10B-CV-2S/2	115 010 020 8002																
Wiring mode	Form	Order No																					
---	HP10B-CV-2S/2	115 010 020 8002																					



Heavy-Duty Connector



10B High protective housing Degree of protection: IP68

<p>Protective cover For lower shell</p> 	<table border="1"> <thead> <tr> <th>Wiring mode</th> <th>Form</th> <th>Order No</th> </tr> </thead> <tbody> <tr> <td></td> <td>Bolt interlock</td> <td></td> </tr> <tr> <td></td> <td>HP10B/H-MCV-2S</td> <td>113 610 020 8101</td> </tr> <tr> <td></td> <td>HP10B/H-MCV-2T</td> <td>113 610 040 8103</td> </tr> </tbody> </table>	Wiring mode	Form	Order No		Bolt interlock			HP10B/H-MCV-2S	113 610 020 8101		HP10B/H-MCV-2T	113 610 040 8103													
Wiring mode	Form	Order No																								
	Bolt interlock																									
	HP10B/H-MCV-2S	113 610 020 8101																								
	HP10B/H-MCV-2T	113 610 040 8103																								
<p>Protective cover For Upper shell</p> 	<table border="1"> <thead> <tr> <th>Wiring mode</th> <th>Form</th> <th>Order No</th> </tr> </thead> <tbody> <tr> <td></td> <td>Bolt interlock</td> <td></td> </tr> <tr> <td></td> <td>HP10B/H-MCV-2H/1Axle pin interlock</td> <td>113 610 020 8111</td> </tr> <tr> <td></td> <td>HP10B/H-MCV-2T/1</td> <td>113 610 040 8101</td> </tr> </tbody> </table>	Wiring mode	Form	Order No		Bolt interlock			HP10B/H-MCV-2H/1Axle pin interlock	113 610 020 8111		HP10B/H-MCV-2T/1	113 610 040 8101													
Wiring mode	Form	Order No																								
	Bolt interlock																									
	HP10B/H-MCV-2H/1Axle pin interlock	113 610 020 8111																								
	HP10B/H-MCV-2T/1	113 610 040 8101																								
<p>Protective cover,For lower shell(IP5X)</p> 	<table border="1"> <thead> <tr> <th>Wiring mode</th> <th>Form</th> <th>Order No</th> </tr> </thead> <tbody> <tr> <td>---</td> <td>HP10B/H-CV/C</td> <td>113 010 900 8001</td> </tr> </tbody> </table>	Wiring mode	Form	Order No	---	HP10B/H-CV/C	113 010 900 8001																			
Wiring mode	Form	Order No																								
---	HP10B/H-CV/C	113 010 900 8001																								
<p>Degree of protection : IP68/IP69K (The following enclosures comply with China's rail transit industry standards)</p>																										
<p>Upper shell Side outlet High structure</p> 	<table border="1"> <thead> <tr> <th>thread</th> <th>Form</th> <th>Order No</th> </tr> </thead> <tbody> <tr> <td>M20</td> <td>HP10B/H-SH-4S-M20</td> <td>113 610 530 5002</td> </tr> <tr> <td>M25</td> <td>HP10B/H-SH-4S-M25</td> <td>113 610 530 5003</td> </tr> <tr> <td>M32</td> <td>HP10B/H-SH-4S-M32</td> <td>113 610 530 5004</td> </tr> <tr> <td>M40</td> <td>HP10B/H-SH-4S-M40</td> <td>113 610 530 5005</td> </tr> <tr> <td>PG16</td> <td>HP10B/H-SH-4S-PG16</td> <td>113 610 530 5010</td> </tr> <tr> <td>PG21</td> <td>HP10B/H-SH-4S-PG21</td> <td>113 610 530 5011</td> </tr> </tbody> </table>	thread	Form	Order No	M20	HP10B/H-SH-4S-M20	113 610 530 5002	M25	HP10B/H-SH-4S-M25	113 610 530 5003	M32	HP10B/H-SH-4S-M32	113 610 530 5004	M40	HP10B/H-SH-4S-M40	113 610 530 5005	PG16	HP10B/H-SH-4S-PG16	113 610 530 5010	PG21	HP10B/H-SH-4S-PG21	113 610 530 5011				
thread	Form	Order No																								
M20	HP10B/H-SH-4S-M20	113 610 530 5002																								
M25	HP10B/H-SH-4S-M25	113 610 530 5003																								
M32	HP10B/H-SH-4S-M32	113 610 530 5004																								
M40	HP10B/H-SH-4S-M40	113 610 530 5005																								
PG16	HP10B/H-SH-4S-PG16	113 610 530 5010																								
PG21	HP10B/H-SH-4S-PG21	113 610 530 5011																								
<p>Upper shell Jacking wire High structure</p> 	<table border="1"> <thead> <tr> <th>thread</th> <th>Form</th> <th>Order No</th> </tr> </thead> <tbody> <tr> <td>M20</td> <td>HP10B/H-TH-4S-M20</td> <td>113 610 430 5002</td> </tr> <tr> <td>M25</td> <td>HP10B/H-TH-4S-M25</td> <td>113 610 430 5003</td> </tr> <tr> <td>M32</td> <td>HP10B/H-TH-4S-M32</td> <td>113 610 430 5004</td> </tr> <tr> <td>M40</td> <td>HP10B/H-TH-4S-M40</td> <td>113 610 430 5005</td> </tr> <tr> <td>PG16</td> <td>HP10B/H-TH-4S-PG16</td> <td>113 610 430 5010</td> </tr> <tr> <td>PG21</td> <td>HP10B/H-TH-4S-PG21</td> <td>113 610 430 5011</td> </tr> <tr> <td>PG29</td> <td>HP10B/H-TH-4S-PG29</td> <td>113 610 430 5012</td> </tr> </tbody> </table>	thread	Form	Order No	M20	HP10B/H-TH-4S-M20	113 610 430 5002	M25	HP10B/H-TH-4S-M25	113 610 430 5003	M32	HP10B/H-TH-4S-M32	113 610 430 5004	M40	HP10B/H-TH-4S-M40	113 610 430 5005	PG16	HP10B/H-TH-4S-PG16	113 610 430 5010	PG21	HP10B/H-TH-4S-PG21	113 610 430 5011	PG29	HP10B/H-TH-4S-PG29	113 610 430 5012	
thread	Form	Order No																								
M20	HP10B/H-TH-4S-M20	113 610 430 5002																								
M25	HP10B/H-TH-4S-M25	113 610 430 5003																								
M32	HP10B/H-TH-4S-M32	113 610 430 5004																								
M40	HP10B/H-TH-4S-M40	113 610 430 5005																								
PG16	HP10B/H-TH-4S-PG16	113 610 430 5010																								
PG21	HP10B/H-TH-4S-PG21	113 610 430 5011																								
PG29	HP10B/H-TH-4S-PG29	113 610 430 5012																								
<p>Unsealed lower shell</p> 	<table border="1"> <thead> <tr> <th>thread</th> <th>Form</th> <th>Order No</th> </tr> </thead> <tbody> <tr> <td>---</td> <td>HP10B/H-BK-4H</td> <td>113 610 330 1001</td> </tr> </tbody> </table>	thread	Form	Order No	---	HP10B/H-BK-4H	113 610 330 1001																			
thread	Form	Order No																								
---	HP10B/H-BK-4H	113 610 330 1001																								


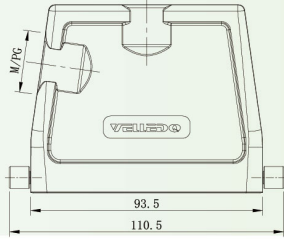
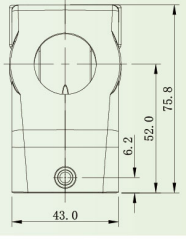
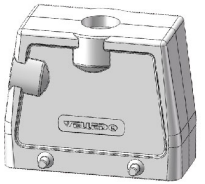
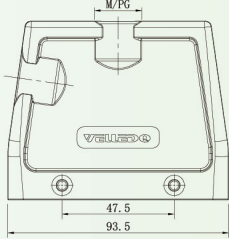
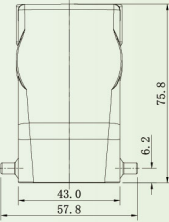

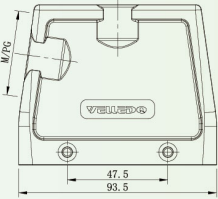
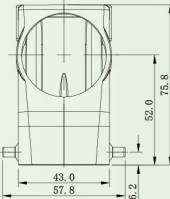

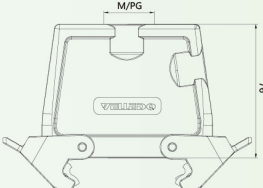

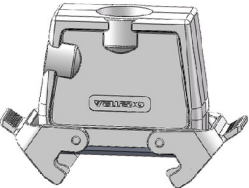
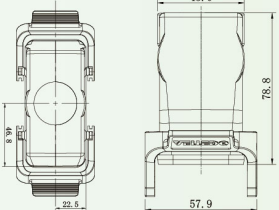
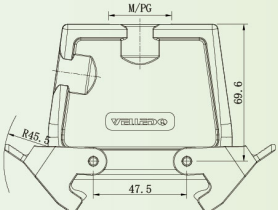
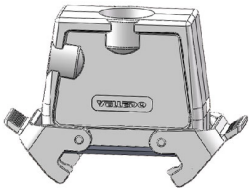
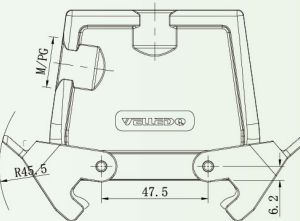
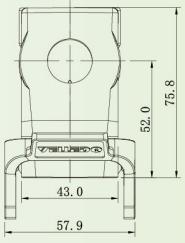


Data ,CAD,3D document please refer to: WWW.VELLEDQ.COM

Heavy-Duty Connector



● Heavy Duty Housing


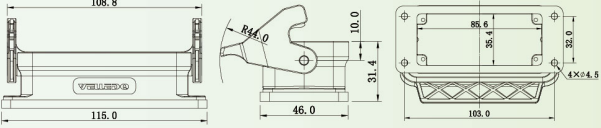

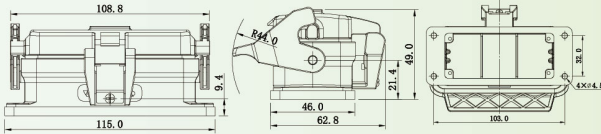
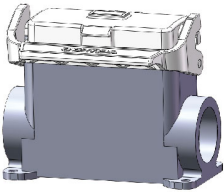
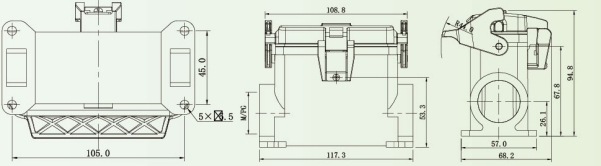
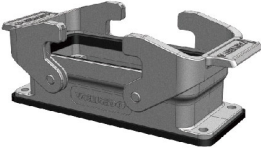
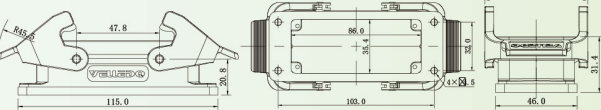
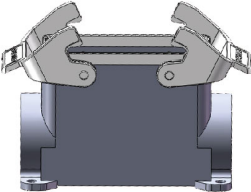
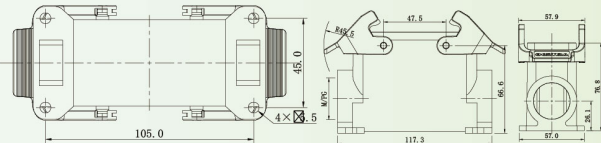

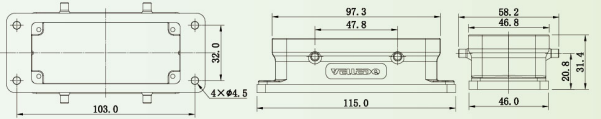

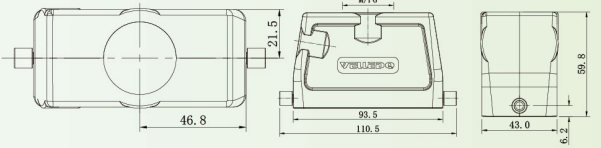
Product Picture	Form	Product Size	
	<p>H16B-SH-2B-M32 H16B-SH-2B-M40 H16B-SH-2B-PG21 H16B-SH-2B-PG29</p>		
	<p>H16B-TH-4B-M32 H16B-TH-4B-M40 H16B-TH-4B-PG21 H16B-TH-4B-PG29</p>		
	<p>H16B-SH-4B-M25 H16B-SH-4B-M32 H16B-SH-4B-M40 H16B-SH-4B-PG21 H16B-SH-4B-PG29</p>		
	<p>H16B-TH-2L-M32 H16B-TH-2L-M40 H16B-TH-2L-PG21 H16B-TH-2L-PG29</p>		
	<p>H16B-CTH-2L-M25 H16B-CTH-2L-M32 H16B-CTH-2L-M40 H16B-CTH-2L-PG21 H16B-CTH-2L-PG29</p>		
	<p>H16B-SH-2L-M32 H16B-SH-2L-M40 H16B-SH-2L-PG21 H16B-SH-2L-PG29</p>		



Heavy-Duty Connector



● Heavy Duty Housing

Product Picture	Form	Product Size
	H16B-K-1L	
	H16B-K-1L-CV H16B-K-1L-MCV	
	H16B-FH-1L-CV-M32 H16B-FH-1L-CV-2M32 H16B-FH-1L-CV-PG21 H16B-FH-1L-CV-2PG21 H16B-FH-1L-CV-PG29	
	H16B-K-2L	
	H16B-FH-2L-M32 H16B-FH-2L-2M32 H16B-FH-2L-PG21 H16B-FH-2L-2PG21 H16B-FH-2L-PG29 H16B-FH-2L-2PG29	
	H16B-K-4B	
	H16B-T-2B-M25 H16B-T-2B-M32 H16B-T-2B-M40 H16B-T-2B-PG21 H16B-T-2B-PG29	


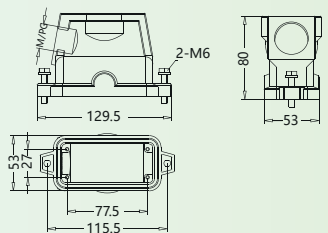

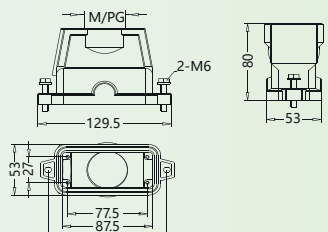


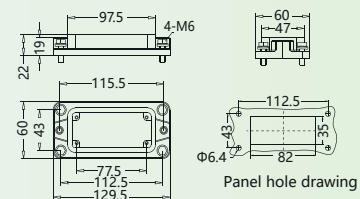

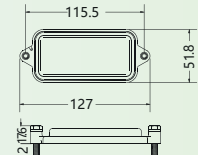


Data ,CAD,3D document please refer to: WWW.VELLEDQ.COM

Heavy-Duty Connector



16B High protective housing Degree of protection : IP68


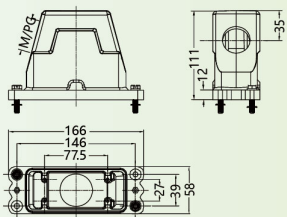

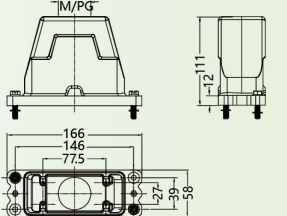

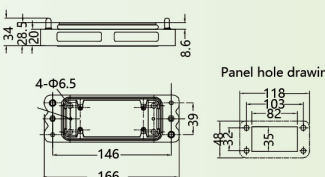
<p>Upper shell Side outlet High structure</p> 	<table border="1"> <thead> <tr> <th>thread</th> <th>Form</th> <th>Order No</th> </tr> </thead> <tbody> <tr> <td>M25</td> <td>HP16B-SH-2S-M25</td> <td>115 016 520 5003</td> </tr> <tr> <td>M32</td> <td>HP16B-SH-2S-M32</td> <td>115 016 520 5104</td> </tr> <tr> <td>M40</td> <td>HP16B-SH-2S-M40</td> <td>115 016 520 5105</td> </tr> <tr> <td>PG21</td> <td>HP16B-SH-2S-PG21</td> <td>115 016 520 5111</td> </tr> <tr> <td>PG29</td> <td>HP16B-SH-2S-PG29</td> <td>115 016 520 5112</td> </tr> </tbody> </table>	thread	Form	Order No	M25	HP16B-SH-2S-M25	115 016 520 5003	M32	HP16B-SH-2S-M32	115 016 520 5104	M40	HP16B-SH-2S-M40	115 016 520 5105	PG21	HP16B-SH-2S-PG21	115 016 520 5111	PG29	HP16B-SH-2S-PG29	115 016 520 5112				
thread	Form	Order No																					
M25	HP16B-SH-2S-M25	115 016 520 5003																					
M32	HP16B-SH-2S-M32	115 016 520 5104																					
M40	HP16B-SH-2S-M40	115 016 520 5105																					
PG21	HP16B-SH-2S-PG21	115 016 520 5111																					
PG29	HP16B-SH-2S-PG29	115 016 520 5112																					
<p>Upper shell Jacking wire High structure</p> 	<table border="1"> <thead> <tr> <th>thread</th> <th>Form</th> <th>Order No</th> </tr> </thead> <tbody> <tr> <td>M25</td> <td>HP16B-TH-2S-M25</td> <td>115 016 420 5103</td> </tr> <tr> <td>M32</td> <td>HP16B-TH-2S-M32</td> <td>115 016 420 5104</td> </tr> <tr> <td>M40</td> <td>HP16B-TH-2S-M40</td> <td>115 016 420 5105</td> </tr> <tr> <td>M50</td> <td>HP16B-TH-2S-M50</td> <td>115 016 420 5106</td> </tr> <tr> <td>PG21</td> <td>HP16B-TH-2S-PG21</td> <td>115 016 420 5111</td> </tr> <tr> <td>PG29</td> <td>HP16B-TH-2S-PG29</td> <td>115 016 420 5112</td> </tr> </tbody> </table>	thread	Form	Order No	M25	HP16B-TH-2S-M25	115 016 420 5103	M32	HP16B-TH-2S-M32	115 016 420 5104	M40	HP16B-TH-2S-M40	115 016 420 5105	M50	HP16B-TH-2S-M50	115 016 420 5106	PG21	HP16B-TH-2S-PG21	115 016 420 5111	PG29	HP16B-TH-2S-PG29	115 016 420 5112	
thread	Form	Order No																					
M25	HP16B-TH-2S-M25	115 016 420 5103																					
M32	HP16B-TH-2S-M32	115 016 420 5104																					
M40	HP16B-TH-2S-M40	115 016 420 5105																					
M50	HP16B-TH-2S-M50	115 016 420 5106																					
PG21	HP16B-TH-2S-PG21	115 016 420 5111																					
PG29	HP16B-TH-2S-PG29	115 016 420 5112																					
<p>Lower shell of back cover</p> 	<table border="1"> <thead> <tr> <th>thread</th> <th>Form</th> <th>Order No</th> </tr> </thead> <tbody> <tr> <td>M25</td> <td>HP16B-SH-2H-M25</td> <td>115 016 220 5003</td> </tr> <tr> <td>M32</td> <td>HP16B-SH-2H-M32</td> <td>115 016 220 5004</td> </tr> <tr> <td>M40</td> <td>HP16B-SH-2H-M40</td> <td>115 016 220 5005</td> </tr> <tr> <td>PG21</td> <td>HP16B-SH-2H-PG21</td> <td>115 016 220 5011</td> </tr> <tr> <td>PG29</td> <td>HP16B-SH-2H-PG29</td> <td>115 016 220 5012</td> </tr> </tbody> </table>	thread	Form	Order No	M25	HP16B-SH-2H-M25	115 016 220 5003	M32	HP16B-SH-2H-M32	115 016 220 5004	M40	HP16B-SH-2H-M40	115 016 220 5005	PG21	HP16B-SH-2H-PG21	115 016 220 5011	PG29	HP16B-SH-2H-PG29	115 016 220 5012				
thread	Form	Order No																					
M25	HP16B-SH-2H-M25	115 016 220 5003																					
M32	HP16B-SH-2H-M32	115 016 220 5004																					
M40	HP16B-SH-2H-M40	115 016 220 5005																					
PG21	HP16B-SH-2H-PG21	115 016 220 5011																					
PG29	HP16B-SH-2H-PG29	115 016 220 5012																					
<p>Unsealed lower shell</p> 	<table border="1"> <thead> <tr> <th>thread</th> <th>Form</th> <th>Order No</th> </tr> </thead> <tbody> <tr> <td>---</td> <td>HP16B-BK-2H</td> <td>115 016 320 1501</td> </tr> </tbody> </table>	thread	Form	Order No	---	HP16B-BK-2H	115 016 320 1501	 <p>Panel hole drawing</p>															
thread	Form	Order No																					
---	HP16B-BK-2H	115 016 320 1501																					
<p>Unsealed lower shell</p> 	<table border="1"> <thead> <tr> <th>thread</th> <th>Form</th> <th>Order No</th> </tr> </thead> <tbody> <tr> <td>---</td> <td>HP16B-BK/S-2H</td> <td>115 016 320 1004</td> </tr> </tbody> </table>	thread	Form	Order No	---	HP16B-BK/S-2H	115 016 320 1004	 <p>Panel hole drawing</p>															
thread	Form	Order No																					
---	HP16B-BK/S-2H	115 016 320 1004																					
<p>Plastic protective cover</p> 	<table border="1"> <thead> <tr> <th>thread</th> <th>Form</th> <th>Order No</th> </tr> </thead> <tbody> <tr> <td>---</td> <td>HP16B-CV-2S/2</td> <td>115 016 020 8002</td> </tr> </tbody> </table>	thread	Form	Order No	---	HP16B-CV-2S/2	115 016 020 8002																
thread	Form	Order No																					
---	HP16B-CV-2S/2	115 016 020 8002																					



Heavy-Duty Connector



16B High protective housing Degree of protection IP68
(The following enclosures comply with China's rail transit industry standards)

<p>Upper shell Side outlet High structure</p> 	<table border="1"> <thead> <tr> <th>thread</th> <th>Form</th> <th>Order No</th> </tr> </thead> <tbody> <tr> <td>M25</td> <td>HP16B/H-SH-4S-M25</td> <td>113 616 530 5003</td> </tr> <tr> <td>M32</td> <td>HP16B/H-SH-4S-M32</td> <td>113 616 530 5004</td> </tr> <tr> <td>M40</td> <td>HP16B/H-SH-4S-M40</td> <td>113 616 530 5005</td> </tr> <tr> <td>PG21</td> <td>HP16B/H-SH-4S-PG21</td> <td>113 616 530 5011</td> </tr> <tr> <td>PG29</td> <td>HP16B/H-SH-4S-PG29</td> <td>113 616 530 5012</td> </tr> </tbody> </table>	thread	Form	Order No	M25	HP16B/H-SH-4S-M25	113 616 530 5003	M32	HP16B/H-SH-4S-M32	113 616 530 5004	M40	HP16B/H-SH-4S-M40	113 616 530 5005	PG21	HP16B/H-SH-4S-PG21	113 616 530 5011	PG29	HP16B/H-SH-4S-PG29	113 616 530 5012							
thread	Form	Order No																								
M25	HP16B/H-SH-4S-M25	113 616 530 5003																								
M32	HP16B/H-SH-4S-M32	113 616 530 5004																								
M40	HP16B/H-SH-4S-M40	113 616 530 5005																								
PG21	HP16B/H-SH-4S-PG21	113 616 530 5011																								
PG29	HP16B/H-SH-4S-PG29	113 616 530 5012																								
<p>Upper shell Jacking wire High structure</p> 	<table border="1"> <thead> <tr> <th>thread</th> <th>Form</th> <th>Order No</th> </tr> </thead> <tbody> <tr> <td>M25</td> <td>HP16B/H-TH-4S-M25</td> <td>113 616 430 5003</td> </tr> <tr> <td>M32</td> <td>HP16B/H-TH-4S-M32</td> <td>113 616 430 5004</td> </tr> <tr> <td>M40</td> <td>HP16B/H-TH-4S-M40</td> <td>113 616 430 5005</td> </tr> <tr> <td>M50</td> <td>HP16B/H-TH-4S-M50</td> <td>113 616 430 5006</td> </tr> <tr> <td>PG21</td> <td>HP16B/H-TH-4S-PG21</td> <td>113 616 430 5011</td> </tr> <tr> <td>PG29</td> <td>HP16B/H-TH-4S-PG29</td> <td>113 616 430 5012</td> </tr> <tr> <td>PG36</td> <td>HP16B/H-TH-4S-PG36</td> <td>113 616 430 5013</td> </tr> </tbody> </table>	thread	Form	Order No	M25	HP16B/H-TH-4S-M25	113 616 430 5003	M32	HP16B/H-TH-4S-M32	113 616 430 5004	M40	HP16B/H-TH-4S-M40	113 616 430 5005	M50	HP16B/H-TH-4S-M50	113 616 430 5006	PG21	HP16B/H-TH-4S-PG21	113 616 430 5011	PG29	HP16B/H-TH-4S-PG29	113 616 430 5012	PG36	HP16B/H-TH-4S-PG36	113 616 430 5013	
thread	Form	Order No																								
M25	HP16B/H-TH-4S-M25	113 616 430 5003																								
M32	HP16B/H-TH-4S-M32	113 616 430 5004																								
M40	HP16B/H-TH-4S-M40	113 616 430 5005																								
M50	HP16B/H-TH-4S-M50	113 616 430 5006																								
PG21	HP16B/H-TH-4S-PG21	113 616 430 5011																								
PG29	HP16B/H-TH-4S-PG29	113 616 430 5012																								
PG36	HP16B/H-TH-4S-PG36	113 616 430 5013																								
<p>Unsealed lower shell</p> 	<table border="1"> <thead> <tr> <th>thread</th> <th>Form</th> <th>Order No</th> </tr> </thead> <tbody> <tr> <td>---</td> <td>HP16B/H-BK-4H</td> <td>113 616 330 1001</td> </tr> </tbody> </table>	thread	Form	Order No	---	HP16B/H-BK-4H	113 616 330 1001	 <p>Panel hole drawing</p>																		
thread	Form	Order No																								
---	HP16B/H-BK-4H	113 616 330 1001																								

HV16B Metal housing Degree of protection: IP65 -Applicable to high-voltage connector (HVE series)

<p>Upper shell Side outlet High structure</p> 	<table border="1"> <thead> <tr> <th>thread</th> <th>Form</th> <th>Order No</th> </tr> </thead> <tbody> <tr> <td>M32</td> <td>WV16B-SEH-1L/C-M32</td> <td>124 116 550 5001</td> </tr> <tr> <td>PG21</td> <td>WV16B-SEH-1L/C-PG21</td> <td>124 116 550 5002</td> </tr> <tr> <td>PG29</td> <td>WV16B-SEH-1L/C-PG29</td> <td>124 116 550 5003</td> </tr> <tr> <td>M32</td> <td>WV16B-SEH-1L/C-M32 WS</td> <td>124 116 555 5004</td> </tr> <tr> <td>PG21</td> <td>WV16B-SEH-1L/C-PG21 WS</td> <td>124 116 555 5011</td> </tr> <tr> <td>PG29</td> <td>WV16B-SEH-1L/C-PG29 WS</td> <td>124 116 555 5012</td> </tr> </tbody> </table>	thread	Form	Order No	M32	WV16B-SEH-1L/C-M32	124 116 550 5001	PG21	WV16B-SEH-1L/C-PG21	124 116 550 5002	PG29	WV16B-SEH-1L/C-PG29	124 116 550 5003	M32	WV16B-SEH-1L/C-M32 WS	124 116 555 5004	PG21	WV16B-SEH-1L/C-PG21 WS	124 116 555 5011	PG29	WV16B-SEH-1L/C-PG29 WS	124 116 555 5012	
thread	Form	Order No																					
M32	WV16B-SEH-1L/C-M32	124 116 550 5001																					
PG21	WV16B-SEH-1L/C-PG21	124 116 550 5002																					
PG29	WV16B-SEH-1L/C-PG29	124 116 550 5003																					
M32	WV16B-SEH-1L/C-M32 WS	124 116 555 5004																					
PG21	WV16B-SEH-1L/C-PG21 WS	124 116 555 5011																					
PG29	WV16B-SEH-1L/C-PG29 WS	124 116 555 5012																					
<p>Unsealed lower shell</p> 	<table border="1"> <thead> <tr> <th>thread</th> <th>Form</th> <th>Order No</th> </tr> </thead> <tbody> <tr> <td>---</td> <td>HV16B-BK-2B/C</td> <td>124 016 355 1001</td> </tr> </tbody> </table>	thread	Form	Order No	---	HV16B-BK-2B/C	124 016 355 1001																
thread	Form	Order No																					
---	HV16B-BK-2B/C	124 016 355 1001																					

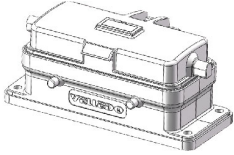
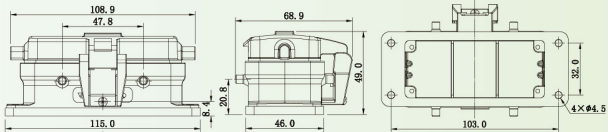
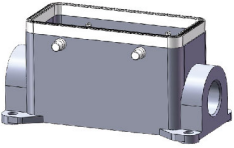
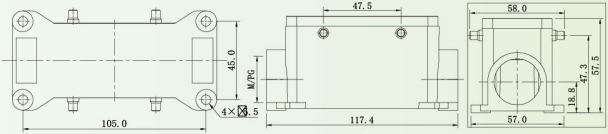
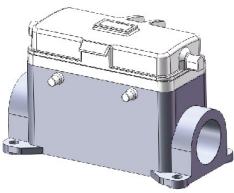
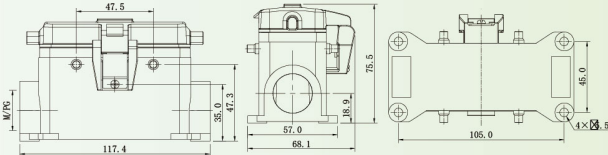
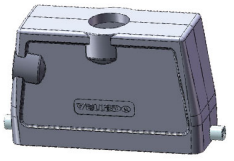
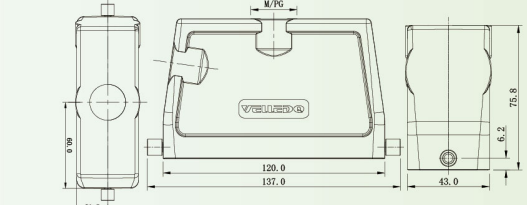
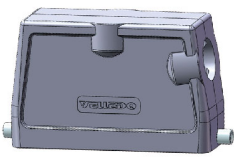
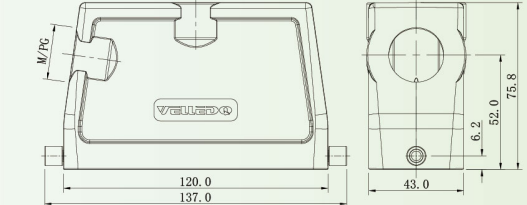

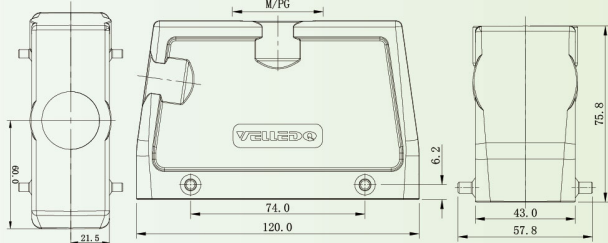


Data ,CAD,3D document please refer to: WWW.VELLEDQ.COM

Heavy-Duty Connector




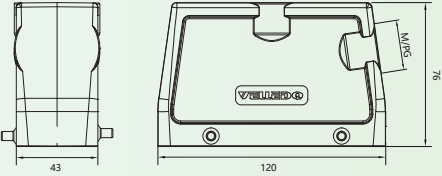

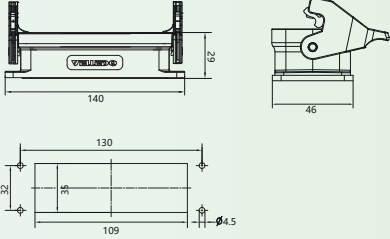

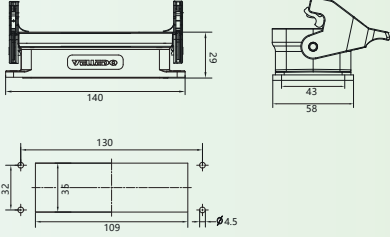

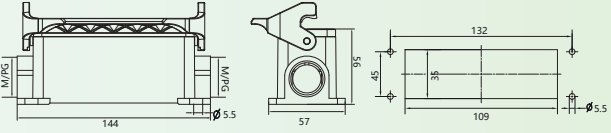

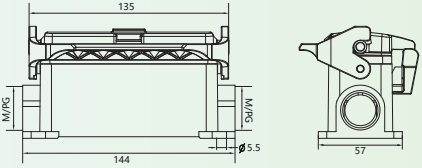

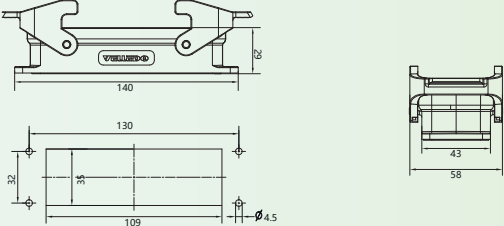
● Heavy Duty Housing

Product Picture	Form	Product Size
	<p>H16B-K-4B-CV H16B-K-4B-MCV</p>	
	<p>H16B-F-4B-M25 H16B-F-4B-2M25 H16B-F-4B-PG21 H16B-F-4B-2PG21</p>	
	<p>H16B-F-4B-CV-M25 H16B-F-4B-CV-2M25 H16B-F-4B-CV-PG21 H16B-F-4B-CV-2PG21</p>	
	<p>H24B-TH-2B-M25 H24B-TH-2B-M32 H24B-TH-2B-M40 H24B-TH-2B-PG21 H24B-TH-2B-PG29</p>	
	<p>H24B-SH-2B-M25 H24B-SH-2B-M32 H24B-SH-2B-M40 H24B-SH-2B-PG21 H24B-SH-2B-PG29</p>	
	<p>H24B-TH-4B-M25 H24B-TH-4B-M32 H24B-TH-4B-M40 H24B-TH-4B-PG21 H24B-TH-4B-PG29</p>	



Heavy-Duty Connector

● Heavy Duty Housing

Product Picture	Form	Product Size
	<p>H24B-SH-4B-M25 H24B-SH-4B-M32 H24B-SH-4B-M40 H24B-SH-4B-PG21 H24B-SH-4B-PG29</p>	
	<p>H24B-K-1L</p>	
	<p>H24B-K-1L-CV</p>	
	<p>H24B-F-1L-M25 H24B-F-1L-2M25 H24B-F-1L-PG21 H24B-F-1L-2PG21</p>	
	<p>H24B-F-1L-CV-M25 H24B-F-1L-CV-2M25 H24B-F-1L-CV-PG21 H24B-F-1L-CV-2PG21 H24B-F-1L-MCV-M25 H24B-F-1L-MCV-2M25 H24B-F-1L-MCV-PG21 H24B-F-1L-MCV-2PG21</p>	
	<p>H24B-K-2L</p>	

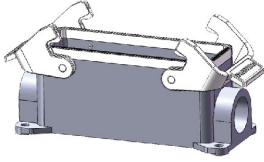
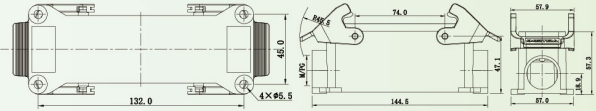
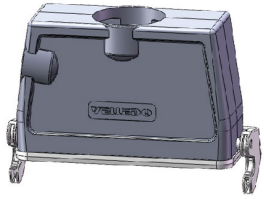
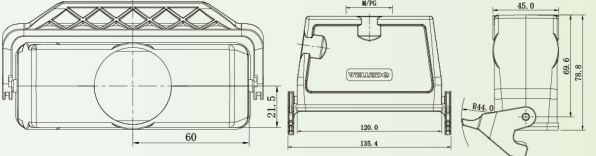
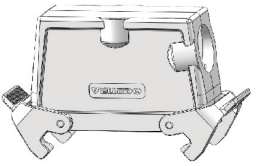
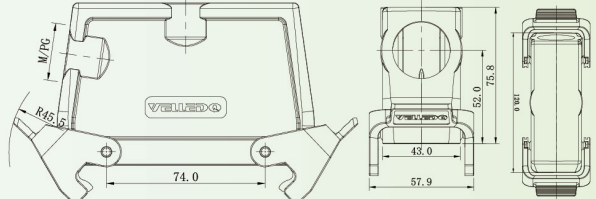
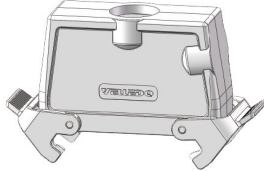
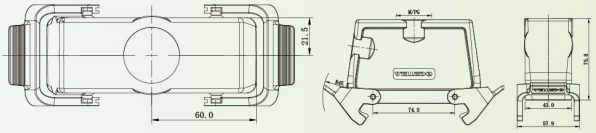
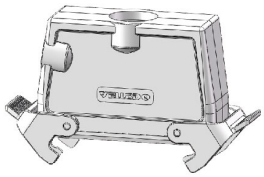
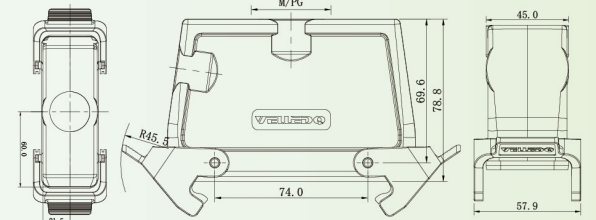

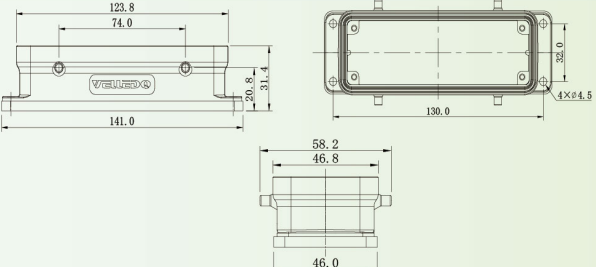


Data ,CAD,3D document please refer to: WWW.VELLEDQ.COM

Heavy-Duty Connector



● Heavy Duty Housing

Product Picture	Form	Product Size
	<p>H24B-F-2L-M25 H24B-F-2L-2M25 H24B-F-2L-PG21 H24B-F-2L-2PG21</p>	
	<p>H24B-CTH-1L-M25 H24B-CTH-1L-PG21</p>	
	<p>H24B-SH-2L-M25 H24B-SH-2L-M32 H24B-SH-2L-PG21</p>	
	<p>H24B-TH-2L-M32 H24B-TH-2L-M40 H24B-TH-2L-PG21 H24B-TH-2L-PG29</p>	
	<p>H24B-CTH-2L-M32 H24B-CTH-2L-M40 H24B-CTH-2L-PG21 H24B-CTH-2L-PG29</p>	
	<p>H24B-K-4B</p>	



Heavy-Duty Connector

● Heavy Duty Housing

Product Picture	Form	Product Size
	<p>H24B-K-4B-CV H24B-K-4B-MCV</p>	
	<p>H24B-F-4B-M25 H24B-F-4B-2M25 H24B-F-4B-PG21 H24B-F-4B-2PG21</p>	
	<p>H24B-F-4B-CV-M25 H24B-F-4B-CV-2M25 H24B-F-4B-CV-PG21 H24B-F-4B-CV-2PG21 H24B-F-4B-MCV-M25 H24B-F-4B-MCV-2M25 H24B-F-4B-MCV-PG21 H24B-F-4B-MCV-2PG21</p>	
	<p>H32B-T-4B-M32 H32B-T-4B-M40 H32B-T-4B-M50 H32B-T-4B-PG29 H32B-T-4B-PG36 H32B-T-4B-PG42</p>	
	<p>H32B-S-4B-M32 H32B-S-4B-M40 H32B-S-4B-M50 H32B-S-4B-PG29 H32B-S-4B-PG36 H32B-S-4B-PG42</p>	
	<p>H32B-TH-2L-M32 H32B-TH-2L-M40 H32B-TH-2L-M50 H32B-TH-2L-PG29 H32B-TH-2L-PG36 H32B-TH-2L-PG42</p>	


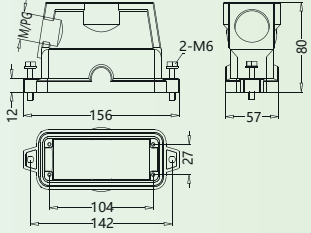

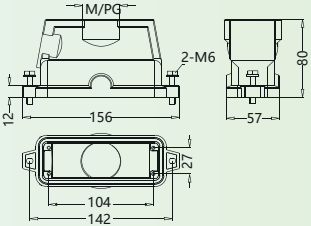

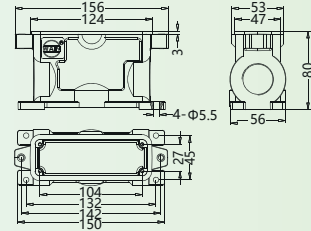

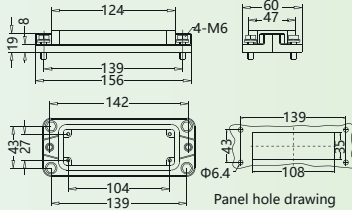

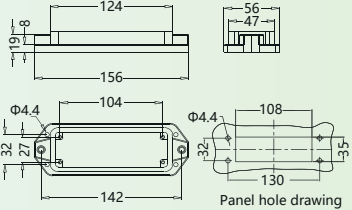

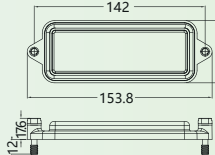


Data ,CAD,3D document please refer to: WWW.VELLEDQ.COM

Heavy-Duty Connector



24B High protective housing Degree of protection: IP68/IP69K


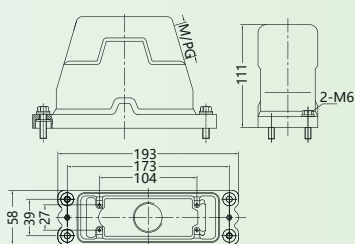
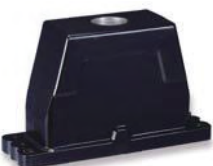
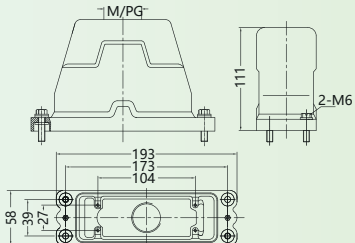

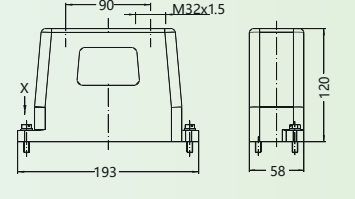

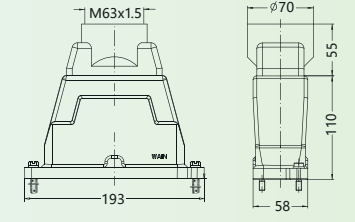

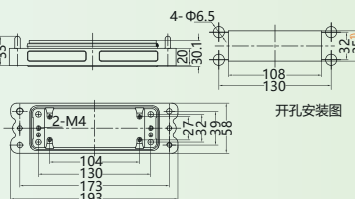
<p>Upper shell Side outlet High structure</p> 	<table border="1"> <thead> <tr> <th>thread</th> <th>Form</th> <th>Order No</th> </tr> </thead> <tbody> <tr> <td>M25</td> <td>HP24B-SH-2S-M25</td> <td>115 024 520 5103</td> </tr> <tr> <td>M32</td> <td>HP24B-SH-2S-M32</td> <td>115 024 520 5104</td> </tr> <tr> <td>M40</td> <td>HP24B-SH-2S-M40</td> <td>115 024 520 5105</td> </tr> <tr> <td>PG21</td> <td>HP24B-SH-2S-PG21</td> <td>115 024 520 5111</td> </tr> <tr> <td>PG29</td> <td>HP24B-SH-2S-PG29</td> <td>115 024 520 5112</td> </tr> </tbody> </table>	thread	Form	Order No	M25	HP24B-SH-2S-M25	115 024 520 5103	M32	HP24B-SH-2S-M32	115 024 520 5104	M40	HP24B-SH-2S-M40	115 024 520 5105	PG21	HP24B-SH-2S-PG21	115 024 520 5111	PG29	HP24B-SH-2S-PG29	115 024 520 5112							
thread	Form	Order No																								
M25	HP24B-SH-2S-M25	115 024 520 5103																								
M32	HP24B-SH-2S-M32	115 024 520 5104																								
M40	HP24B-SH-2S-M40	115 024 520 5105																								
PG21	HP24B-SH-2S-PG21	115 024 520 5111																								
PG29	HP24B-SH-2S-PG29	115 024 520 5112																								
<p>Upper shell Jacking wire High structure</p> 	<table border="1"> <thead> <tr> <th>thread</th> <th>Form</th> <th>Order No</th> </tr> </thead> <tbody> <tr> <td>M25</td> <td>HP24B-TH-2S-M25</td> <td>115 024 420 5103</td> </tr> <tr> <td>M32</td> <td>HP24B-TH-2S-M32</td> <td>115 024 420 5104</td> </tr> <tr> <td>M40</td> <td>HP24B-TH-2S-M40</td> <td>115 024 420 5105</td> </tr> <tr> <td>M50</td> <td>HP24B-TH-2S-M50</td> <td>115 024 420 5106</td> </tr> <tr> <td>PG21</td> <td>HP24B-TH-2S-PG21</td> <td>115 024 420 5111</td> </tr> <tr> <td>PG29</td> <td>HP24B-TH-2S-PG29</td> <td>115 024 420 5112</td> </tr> <tr> <td>PG36</td> <td>HP24B-TH-2S-PG36</td> <td>115 024 420 5113</td> </tr> </tbody> </table>	thread	Form	Order No	M25	HP24B-TH-2S-M25	115 024 420 5103	M32	HP24B-TH-2S-M32	115 024 420 5104	M40	HP24B-TH-2S-M40	115 024 420 5105	M50	HP24B-TH-2S-M50	115 024 420 5106	PG21	HP24B-TH-2S-PG21	115 024 420 5111	PG29	HP24B-TH-2S-PG29	115 024 420 5112	PG36	HP24B-TH-2S-PG36	115 024 420 5113	
thread	Form	Order No																								
M25	HP24B-TH-2S-M25	115 024 420 5103																								
M32	HP24B-TH-2S-M32	115 024 420 5104																								
M40	HP24B-TH-2S-M40	115 024 420 5105																								
M50	HP24B-TH-2S-M50	115 024 420 5106																								
PG21	HP24B-TH-2S-PG21	115 024 420 5111																								
PG29	HP24B-TH-2S-PG29	115 024 420 5112																								
PG36	HP24B-TH-2S-PG36	115 024 420 5113																								
<p>Lower shell of back cover High structure</p> 	<table border="1"> <thead> <tr> <th>thread</th> <th>Form</th> <th>Order No</th> </tr> </thead> <tbody> <tr> <td>M25</td> <td>HP24B-SH-2H-M25</td> <td>115 024 220 5003</td> </tr> <tr> <td>M32</td> <td>HP24B-SH-2H-M32</td> <td>115 024 220 5004</td> </tr> <tr> <td>M40</td> <td>HP24B-SH-2H-M40</td> <td>115 024 220 5005</td> </tr> <tr> <td>PG21</td> <td>HP24B-SH-2H-PG21</td> <td>115 024 220 5011</td> </tr> <tr> <td>PG29</td> <td>HP24B-SH-2H-PG29</td> <td>115 024 220 5012</td> </tr> </tbody> </table>	thread	Form	Order No	M25	HP24B-SH-2H-M25	115 024 220 5003	M32	HP24B-SH-2H-M32	115 024 220 5004	M40	HP24B-SH-2H-M40	115 024 220 5005	PG21	HP24B-SH-2H-PG21	115 024 220 5011	PG29	HP24B-SH-2H-PG29	115 024 220 5012							
thread	Form	Order No																								
M25	HP24B-SH-2H-M25	115 024 220 5003																								
M32	HP24B-SH-2H-M32	115 024 220 5004																								
M40	HP24B-SH-2H-M40	115 024 220 5005																								
PG21	HP24B-SH-2H-PG21	115 024 220 5011																								
PG29	HP24B-SH-2H-PG29	115 024 220 5012																								
<p>Unsealed lower shell</p> 	<table border="1"> <thead> <tr> <th>thread</th> <th>Form</th> <th>Order No</th> </tr> </thead> <tbody> <tr> <td>---</td> <td>HP24B-BK-2H</td> <td>115 024 320 1001</td> </tr> </tbody> </table>	thread	Form	Order No	---	HP24B-BK-2H	115 024 320 1001																			
thread	Form	Order No																								
---	HP24B-BK-2H	115 024 320 1001																								
<p>Unsealed lower shell</p> 	<table border="1"> <thead> <tr> <th>thread</th> <th>Form</th> <th>Order No</th> </tr> </thead> <tbody> <tr> <td>---</td> <td>HP24B-BK/S-2H</td> <td>115 024 320 1101</td> </tr> </tbody> </table>	thread	Form	Order No	---	HP24B-BK/S-2H	115 024 320 1101																			
thread	Form	Order No																								
---	HP24B-BK/S-2H	115 024 320 1101																								
<p>Plastic protective cover</p> 	<table border="1"> <thead> <tr> <th>Wiring mode</th> <th>Form</th> <th>Order No</th> </tr> </thead> <tbody> <tr> <td>---</td> <td>HP24B-CV-2S/2</td> <td>115 024 020 8002</td> </tr> </tbody> </table>	Wiring mode	Form	Order No	---	HP24B-CV-2S/2	115 024 020 8002																			
Wiring mode	Form	Order No																								
---	HP24B-CV-2S/2	115 024 020 8002																								



Heavy-Duty Connector



24B High protective housing Protection grade: IP68
 (The following enclosures comply with China's rail transit industry standards)

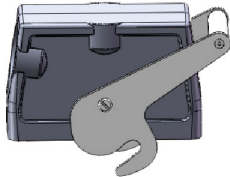
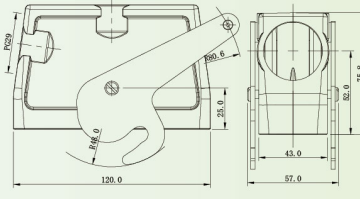
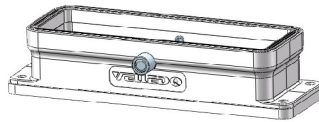
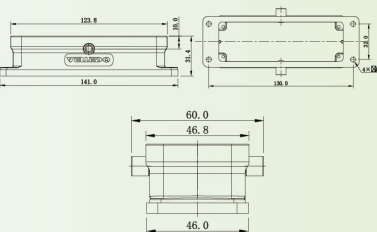

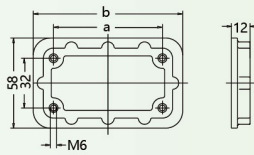

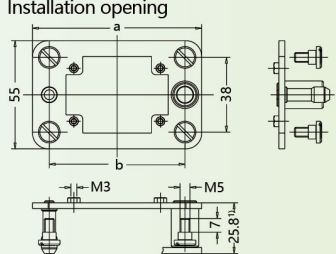
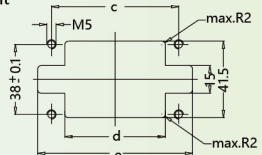
<p>Upper shell Side outlet High structure</p> 	<table border="1"> <thead> <tr> <th>thread</th> <th>Form</th> <th>Order No</th> </tr> </thead> <tbody> <tr> <td>M25</td> <td>HP24B/H-SH-4S-M25</td> <td>113 624 530 5003</td> </tr> <tr> <td>M32</td> <td>HP24B/H-SH-4S-M32</td> <td>113 624 530 5004</td> </tr> <tr> <td>M40</td> <td>HP24B/H-SH-4S-M40</td> <td>113 624 530 5005</td> </tr> <tr> <td>PG21</td> <td>HP24B/H-SH-4S-PG21</td> <td>113 624 530 5011</td> </tr> <tr> <td>PG29</td> <td>HP24B/H-SH-4S-PG29</td> <td>113 624 530 5012</td> </tr> </tbody> </table>	thread	Form	Order No	M25	HP24B/H-SH-4S-M25	113 624 530 5003	M32	HP24B/H-SH-4S-M32	113 624 530 5004	M40	HP24B/H-SH-4S-M40	113 624 530 5005	PG21	HP24B/H-SH-4S-PG21	113 624 530 5011	PG29	HP24B/H-SH-4S-PG29	113 624 530 5012							
thread	Form	Order No																								
M25	HP24B/H-SH-4S-M25	113 624 530 5003																								
M32	HP24B/H-SH-4S-M32	113 624 530 5004																								
M40	HP24B/H-SH-4S-M40	113 624 530 5005																								
PG21	HP24B/H-SH-4S-PG21	113 624 530 5011																								
PG29	HP24B/H-SH-4S-PG29	113 624 530 5012																								
<p>Upper shell Jacking wire High structure</p> 	<table border="1"> <thead> <tr> <th>thread</th> <th>Form</th> <th>Order No</th> </tr> </thead> <tbody> <tr> <td>M25</td> <td>HP24B/H-TH-4S-M25</td> <td>113 624 430 5003</td> </tr> <tr> <td>M32</td> <td>HP24B/H-TH-4S-M32</td> <td>113 624 430 5004</td> </tr> <tr> <td>M40</td> <td>HP24B/H-TH-4S-M40</td> <td>113 624 430 5005</td> </tr> <tr> <td>M50</td> <td>HP24B/H-TH-4S-M50</td> <td>113 624 430 5006</td> </tr> <tr> <td>PG21</td> <td>HP24B/H-TH-4S-PG21</td> <td>113 624 430 5011</td> </tr> <tr> <td>PG29</td> <td>HP24B/H-TH-4S-PG29</td> <td>113 624 430 5012</td> </tr> <tr> <td>PG36</td> <td>HP24B/H-TH-4S-PG36</td> <td>113 624 430 5013</td> </tr> </tbody> </table>	thread	Form	Order No	M25	HP24B/H-TH-4S-M25	113 624 430 5003	M32	HP24B/H-TH-4S-M32	113 624 430 5004	M40	HP24B/H-TH-4S-M40	113 624 430 5005	M50	HP24B/H-TH-4S-M50	113 624 430 5006	PG21	HP24B/H-TH-4S-PG21	113 624 430 5011	PG29	HP24B/H-TH-4S-PG29	113 624 430 5012	PG36	HP24B/H-TH-4S-PG36	113 624 430 5013	
thread	Form	Order No																								
M25	HP24B/H-TH-4S-M25	113 624 430 5003																								
M32	HP24B/H-TH-4S-M32	113 624 430 5004																								
M40	HP24B/H-TH-4S-M40	113 624 430 5005																								
M50	HP24B/H-TH-4S-M50	113 624 430 5006																								
PG21	HP24B/H-TH-4S-PG21	113 624 430 5011																								
PG29	HP24B/H-TH-4S-PG29	113 624 430 5012																								
PG36	HP24B/H-TH-4S-PG36	113 624 430 5013																								
<p>Upper shell Jacking wire High structure</p> 	<table border="1"> <thead> <tr> <th>thread</th> <th>Form</th> <th>Order No</th> </tr> </thead> <tbody> <tr> <td>3M32</td> <td>HP24B/H-TH-4S-3M32</td> <td>113 624 430 5037</td> </tr> </tbody> </table>	thread	Form	Order No	3M32	HP24B/H-TH-4S-3M32	113 624 430 5037																			
thread	Form	Order No																								
3M32	HP24B/H-TH-4S-3M32	113 624 430 5037																								
<p>Upper shell Jacking wire High structure</p> 	<table border="1"> <thead> <tr> <th>thread</th> <th>Form</th> <th>Order No</th> </tr> </thead> <tbody> <tr> <td>M63</td> <td>HP24B/H-TH-4S-M63</td> <td>113 624 430 5007</td> </tr> </tbody> </table>	thread	Form	Order No	M63	HP24B/H-TH-4S-M63	113 624 430 5007																			
thread	Form	Order No																								
M63	HP24B/H-TH-4S-M63	113 624 430 5007																								
<p>Unsealed lower shell</p> 	<table border="1"> <thead> <tr> <th>thread</th> <th>Form</th> <th>Order No</th> </tr> </thead> <tbody> <tr> <td>---</td> <td>HP24B/H-BK-4H</td> <td>113 624 330 1001</td> </tr> </tbody> </table>	thread	Form	Order No	---	HP24B/H-BK-4H	113 624 330 1001	 <p>开孔安装图</p> <p>注: 1. 配用HC650插芯时, 尺寸为45.</p>																		
thread	Form	Order No																								
---	HP24B/H-BK-4H	113 624 330 1001																								



Heavy-Duty Connector




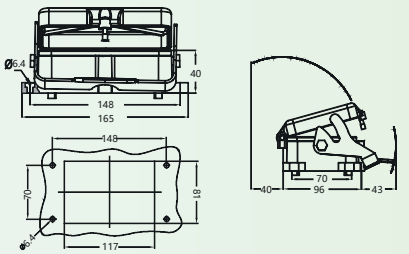

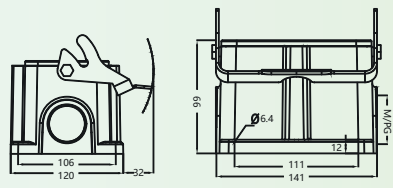
24B Metal housing Degree of protection: IP67 -Applicable to high-voltage connector (HVE series)

<p>Upper shell Side outlet High structure</p> 	<table border="1"> <thead> <tr> <th>thread</th> <th>Form</th> <th>Order No</th> </tr> </thead> <tbody> <tr> <td>M32</td> <td>WV24B-SH-1L/C-M32</td> <td>124 124 550 5001</td> </tr> <tr> <td>PG29</td> <td>WV24B-SH-1L/C-PG29</td> <td>124 124 550 5002</td> </tr> <tr> <td>M32</td> <td>WV24B-SH-1L/C-M32 WS</td> <td>124 124 555 5004</td> </tr> <tr> <td>PG21</td> <td>WV24B-SH-1L/C-PG21 WS</td> <td>124 124 550 5003</td> </tr> <tr> <td>PG29</td> <td>WV24B-SH-1L/C-PG29 WS</td> <td>124 124 555 5012</td> </tr> </tbody> </table>	thread	Form	Order No	M32	WV24B-SH-1L/C-M32	124 124 550 5001	PG29	WV24B-SH-1L/C-PG29	124 124 550 5002	M32	WV24B-SH-1L/C-M32 WS	124 124 555 5004	PG21	WV24B-SH-1L/C-PG21 WS	124 124 550 5003	PG29	WV24B-SH-1L/C-PG29 WS	124 124 555 5012																												
thread	Form	Order No																																													
M32	WV24B-SH-1L/C-M32	124 124 550 5001																																													
PG29	WV24B-SH-1L/C-PG29	124 124 550 5002																																													
M32	WV24B-SH-1L/C-M32 WS	124 124 555 5004																																													
PG21	WV24B-SH-1L/C-PG21 WS	124 124 550 5003																																													
PG29	WV24B-SH-1L/C-PG29 WS	124 124 555 5012																																													
<p>Unsealed lower shell</p> 	<table border="1"> <thead> <tr> <th>thread</th> <th>Form</th> <th>Order No</th> </tr> </thead> <tbody> <tr> <td>---</td> <td>WV24B-BK-2B/C</td> <td>124 124 350 1101</td> </tr> </tbody> </table>	thread	Form	Order No	---	WV24B-BK-2B/C	124 124 350 1101																																								
thread	Form	Order No																																													
---	WV24B-BK-2B/C	124 124 350 1101																																													
<h2>Fixed frame</h2>																																															
<p>Mounting frame for H version</p> 	<table border="1"> <thead> <tr> <th>Specifications</th> <th>Form</th> <th>Order No</th> </tr> </thead> <tbody> <tr> <td>6B</td> <td>HP6B-MF</td> <td>113 006 000 1091</td> </tr> <tr> <td>10B</td> <td>HP10B-MF</td> <td>113 010 000 1091</td> </tr> <tr> <td>16B</td> <td>HP16B-MF</td> <td>113 016 000 1091</td> </tr> <tr> <td>24B</td> <td>HP24B-MF</td> <td>113 024 000 1091</td> </tr> </tbody> </table>	Specifications	Form	Order No	6B	HP6B-MF	113 006 000 1091	10B	HP10B-MF	113 010 000 1091	16B	HP16B-MF	113 016 000 1091	24B	HP24B-MF	113 024 000 1091	 <table border="1"> <thead> <tr> <th colspan="2">Specifications</th> <th>b</th> </tr> </thead> <tbody> <tr> <td>6B</td> <td>70</td> <td>96</td> </tr> <tr> <td>10B</td> <td>83</td> <td>109</td> </tr> <tr> <td>16B</td> <td>103</td> <td>129</td> </tr> <tr> <td>24B</td> <td>130</td> <td>156</td> </tr> </tbody> </table>	Specifications		b	6B	70	96	10B	83	109	16B	103	129	24B	130	156															
Specifications	Form	Order No																																													
6B	HP6B-MF	113 006 000 1091																																													
10B	HP10B-MF	113 010 000 1091																																													
16B	HP16B-MF	113 016 000 1091																																													
24B	HP24B-MF	113 024 000 1091																																													
Specifications		b																																													
6B	70	96																																													
10B	83	109																																													
16B	103	129																																													
24B	130	156																																													
<p>Butt joint frame</p> 	<table border="1"> <thead> <tr> <th>Specifications</th> <th>Form</th> <th>Order No</th> </tr> </thead> <tbody> <tr> <td>6B</td> <td>H6B-ADK</td> <td>198 002 004 0001</td> </tr> <tr> <td>10B</td> <td>H10B-ADK</td> <td>198 002 004 0002</td> </tr> <tr> <td>16B</td> <td>H16B-ADK</td> <td>198 002 004 0003</td> </tr> <tr> <td>24B</td> <td>H24B-ADK</td> <td>198 002 004 0005</td> </tr> </tbody> </table>	Specifications	Form	Order No	6B	H6B-ADK	198 002 004 0001	10B	H10B-ADK	198 002 004 0002	16B	H16B-ADK	198 002 004 0003	24B	H24B-ADK	198 002 004 0005	<p>technical parameter</p> <ul style="list-style-type: none"> Material Science Butt joint frame stainless steel -Fixing bolt Iron, galvanized Fixing bolt <ul style="list-style-type: none"> -x-axis ±1.5mm -y-axis ±1.5mm Unplug times ≥500 <p>Products include</p> <ol style="list-style-type: none"> The maximum distance from electrical pin and optical cable pin is 27mm Maximum distance of pneumatic needle 26.5mm <p>1 shelf 26.5mm</p> <p>4 bolts with flat head for fixing the butt joint</p> <table border="1"> <thead> <tr> <th>Specifications</th> <th>a</th> <th>b</th> <th>c</th> <th>d</th> <th>e</th> </tr> </thead> <tbody> <tr> <td>6B</td> <td>86</td> <td>69</td> <td>69</td> <td>54.5</td> <td>84</td> </tr> <tr> <td>10B</td> <td>99</td> <td>82</td> <td>82</td> <td>67.5</td> <td>97</td> </tr> <tr> <td>16B</td> <td>119.5</td> <td>102.5</td> <td>102.5</td> <td>88</td> <td>117.5</td> </tr> <tr> <td>24B</td> <td>146</td> <td>129</td> <td>129</td> <td>114.5</td> <td>144</td> </tr> </tbody> </table> <p>Installation opening</p>  	Specifications	a	b	c	d	e	6B	86	69	69	54.5	84	10B	99	82	82	67.5	97	16B	119.5	102.5	102.5	88	117.5	24B	146	129	129	114.5	144
Specifications	Form	Order No																																													
6B	H6B-ADK	198 002 004 0001																																													
10B	H10B-ADK	198 002 004 0002																																													
16B	H16B-ADK	198 002 004 0003																																													
24B	H24B-ADK	198 002 004 0005																																													
Specifications	a	b	c	d	e																																										
6B	86	69	69	54.5	84																																										
10B	99	82	82	67.5	97																																										
16B	119.5	102.5	102.5	88	117.5																																										
24B	146	129	129	114.5	144																																										



Heavy-Duty Connector

● Heavy Duty Housing

Product Picture	Form	Product Size
	<p>H48B-K-1L-CV H48B-K-1L-MCV</p>	
	<p>H48B-F-1L-M32 H48B-F-1L-2M32 H48B-F-1L-M40 H48B-F-1L-2M40 H48B-F-1L-PG29 H48B-F-1L-2PG29 H48B-F-1L-PG36 H48B-F-1L-2PG36 H48B-F-1L-CV-M32 H48B-F-1L-CV-2M32 H48B-F-1L-CV-M40 H48B-F-1L-CV-2M40 H48B-F-1L-CV-PG29 H48B-F-1L-CV-2PG29 H48B-F-1L-CV-PG36 H48B-F-1L-CV-2PG36</p>	

HC Plastic shell

<p>Upper shell Jacking wire</p> 	<p>thread PAFS18</p> <p>Form HC.P-TE-2B-PAFS18</p>	<p>Order No 130 008 410 1091</p> 
<p>Lower shell of flying wire</p> 	<p>thread PAFS18</p> <p>Form HC.P-CCT-1L-PAFS18</p>	<p>Order No 130 008 727 1001</p> 



Heavy-Duty Connector



10A Technical parameters of cold pressed contact pin

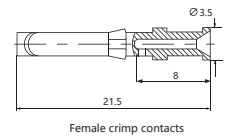
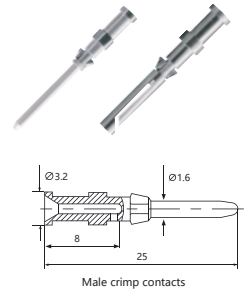
Contacts resistance: $\leq 3m\Omega$

Material:copper

Terminal:crimp connection

Wire gauge	Stripping length		Contacts,Silver-plated	Contacts,Gold-plated
	AWG	Length		
0.5mm ²	AWG 20	8.0mm	CDSM-0.5	CDGM-0.5
0.75mm ²	AWG 18	8.0mm	CDSM-0.75	CDGM-0.75
1.0mm ²	AWG 18	8.0mm	CDSM-1.0	CDGM-1.0
1.5mm ²	AWG 16	8.0mm	CDSM-1.5	CDGM-1.5
2.5mm ²	AWG 14	8.0mm	CDSM-2.5	CDGM-2.5

Wire gauge	Stripping length		Contacts,Silver-plated	Contacts,Gold-plated
	AWG	Length		
0.5mm ²	AWG 20	8.0mm	CDSF-0.5	CDGF-0.5
0.75mm ²	AWG 18	8.0mm	CDSF-0.75	CDGF-0.75
1.0mm ²	AWG 18	8.0mm	CDSF-1.0	CDGF-1.0
1.5mm ²	AWG 16	8.0mm	CDSF-1.5	CDGF-1.5
2.5mm ²	AWG 14	8.0mm	CDSF-2.5	CDGF-2.5



16A Technical parameters of cold pressed contact pin

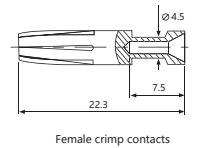
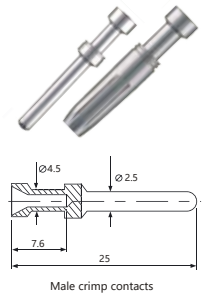
Contacts resistance: $\leq 1m\Omega$

Material:copper

Terminal:crimp connection

Wire gauge	Stripping length		Contacts,Silver-plated	Contacts,Gold-plated
	AWG	Length		
0.5mm ²	AWG 20	7.5mm	CESM-0.5	CEGM-0.5
0.75mm ²	AWG 18	7.5mm	CESM-0.75	CEGM-0.75
1.0mm ²	AWG 18	7.5mm	CESM-1.0	CEGM-1.0
1.5mm ²	AWG 16	7.5mm	CESM-1.5	CEGM-1.5
2.5mm ²	AWG 14	7.5mm	CESM-2.5	CEGM-2.5
4.0mm ²	AWG 12	7.5mm	CESM-4.0	CEGM-4.0

Wire gauge	Stripping length		Contacts,Silver-plated	Contacts,Gold-plated
	AWG	Length		
0.5mm ²	AWG 20	7.5mm	CESF-0.5	CEGF-0.5
0.75mm ²	AWG 18	7.5mm	CESF-0.75	CEGF-0.75
1.0mm ²	AWG 18	7.5mm	CESF-1.0	CEGF-1.0
1.5mm ²	AWG 16	7.5mm	CESF-1.5	CEGF-1.5
2.5mm ²	AWG 14	7.5mm	CESF-2.5	CEGF-2.5
4.0mm ²	AWG 12	7.5mm	CESF-4.0	CEGF-4.0



40A Technical parameters of cold pressed contact pin

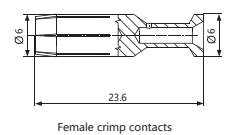
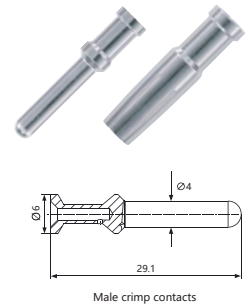
Contacts resistance: $\leq 4m\Omega$

Material:copper

Terminal:crimp connection

Wire gauge	Stripping length		Contacts,Silver-plated	Contacts,Gold-plated
	AWG	Length		
1.75mm ²	AWG 16	8.0mm	CMSM-1.5	CMGM-1.5
2.25mm ²	AWG 14	8.0mm	CMSM-2.5	CMGM-2.5
2.85mm ²	AWG 12	8.0mm	CMSM-4.0	CMGM-4.0
3.50mm ²	AWG 10	8.0mm	CMSM-6.0	CMGM-6.0

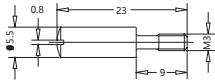
Wire gauge	Stripping length		Contacts,Silver-plated	Contacts,Gold-plated
	AWG	Length		
1.75mm ²	AWG 16	8.0mm	CMSF-1.5	CMGF-1.5
2.25mm ²	AWG 14	8.0mm	CMSF-2.5	CMGF-2.5
2.85mm ²	AWG 12	8.0mm	CMSF-4.0	CMGF-4.0
3.50mm ²	AWG 10	8.0mm	CMSF-6.0	CMGF-6.0



Data ,CAD,3D document please refer to: WWW.VELLEDQ.COM

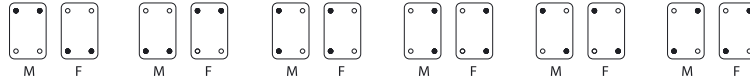
Heavy-Duty Connector

Code pin

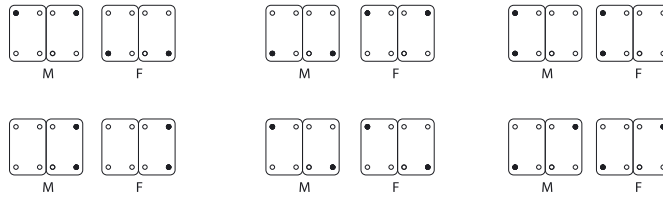


type
CODE-M3

For hoods/housing with one inserts/one frames



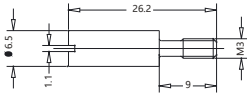
For hoods/housing with two inserts/two frames



●Code pins
○ normal mounting screw

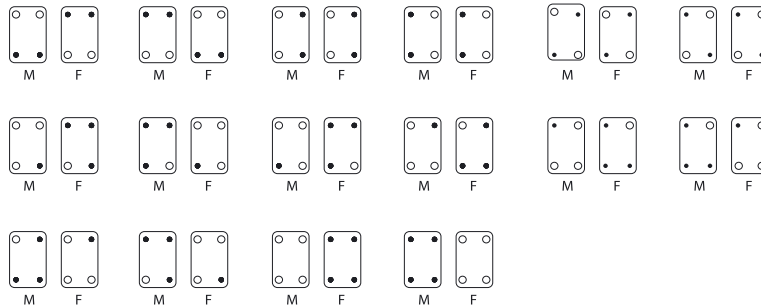
Male connector
Female connector

Guide bush

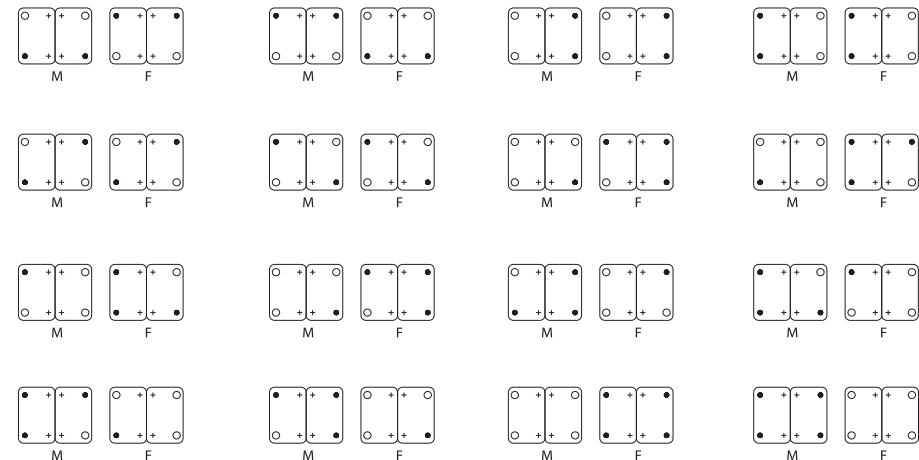


type
GBUSH-M3

For hoods/housing with one inserts/one frames



For hoods/housing with two inserts/two frames



○Guide bush
●Guide pin
+ Normal mounting screw

Male connector
Female connector

Guide pin

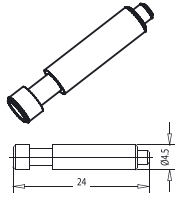


type
GPIN-M3



Heavy-Duty Connector

Code pin



① use of the coding pin prevents incorrect mating to other connectors of the same type

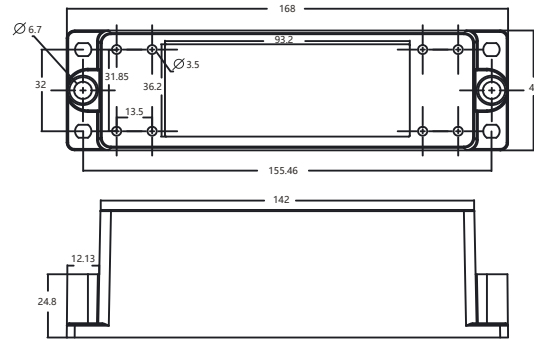
② For HEC, HEE, HQ 5/0, HM-006, HM-008

③ The male pin should be omitted from the opposing cavity in the male insert.

type

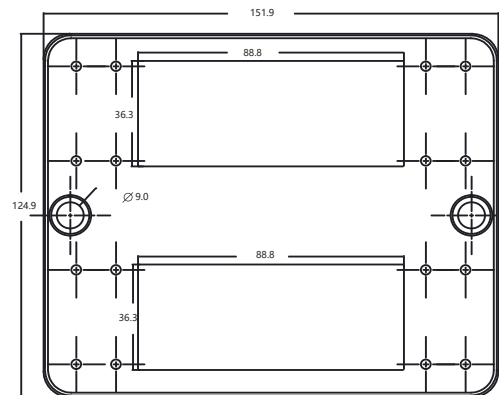
CODE-E

Terminal box



type

WL-16/24-1T(blue)	5	101	69	101
WL-16/24-2T(blue)	5	102	70	102
WL-16/24-1T(grey)	5	201	69	103
WL-16/24-2T(grey)	5	202	70	104
WL-16/24-1T(orange)	5	301	69	105
WL-16/24-2T(orange)	5	302	70	106
WL-16/24-1T(black)	5	401	69	107
WL-16/24-2T(black)	5	402	70	108



Tools



HD needle extractor				
TL00				

HD Needle extractor
Removal tool for crimp contacts(HD,HDD,HM)

HEE needle extractor				
TL01				

HEE Needle extractor
Removal tool for crimp contacts(HEC,HEE,HM)

HMK Module needle extractor				
TL06				

HM Module Needle extractor
Removal tool for crimp contacts(HMK Module)

HM Module needle extractor				
TL08				

HM Module Needle extractor
Removal tool for crimp contacts(HMDSModule, D-SUB)



Heavy-Duty Connector

Crimping Tool

5A Cold press pliers



Crimping wire diameter
0.09-0.82mm²

Form
TL03

Order No
198 001 001 0002

10A/16A Cold press pliers



Crimping wire diameter
0.14-4mm²
1.5-6mm²

Form
TL02
TL02-0

Order No
198 001 001 0001
198 001 001 0006

10A/16A/40A Cold press pliers



Crimping wire diameter
0.14-4mm²
1.5-6mm²
4/6/10mm²

Form
TL02G
TL02-0G
TL02-3G

Order No
198 001 001 0011
198 001 001 0012
198 001 001 0013

The specification of 0.37mm for 16A plug cannot be crimped

10A/16A/40A Cold clamp with digital display



Crimping wire diameter
0.14-6mm²

Form
TL02-2G

Order No
198 001 001 0014

100A-650A High current manual hydraulic tong



describe Crimping wire diameter Form
Output: automatic pressure relief 10-240mm² TL05
output: 13T
weight: 6.2kg

Order No
198 001 001 0005

100A-650A Large current electric hydraulic tong



Crimping wire diameter
10-240mm²

Form
TL05-EA

Order No
198 001 001 0020

100A-650A High current manual hydraulic tong



Crimping wire diameter
10-240mm²

Form
TL05G

Order No
198 001 001 0019

100A-650A Large current electric hydraulic tong



Crimping wire diameter
10-240mm²

Form
TL05G-EA

Order No
198 001 001 0021

